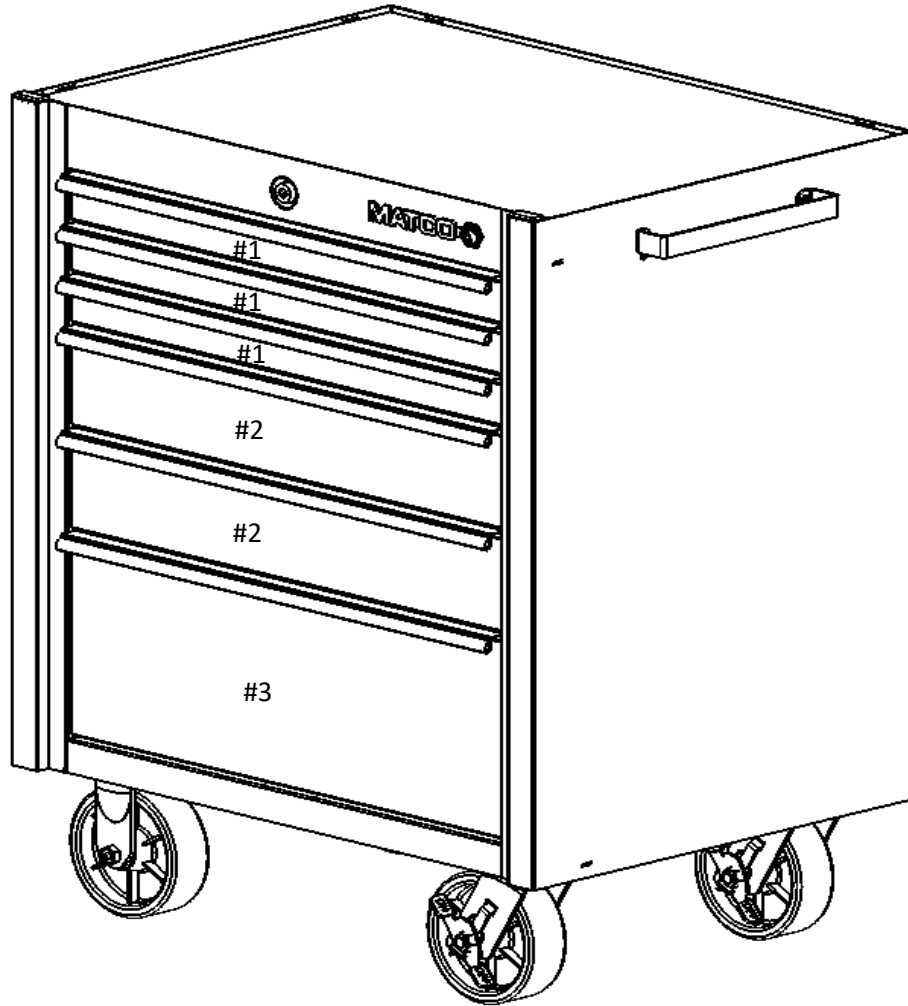




4122R

4S 1BAY 22" TOOLBOX



SPECIFICATIONS							
PART NUMBER	DESCRIPTION	QTY	HEIGHT	WIDTH	DEPTH	SQ IN	CU IN
4122R-053	#1 DRAWER	3	1.906	23.500	19.594	1,381	2,633
4122R-055	#2 DRAWER	2	4.313	23.500	19.594	921	3,971
4122R-056	#3 DRAWER	1	9.125	23.500	19.594	460	4,202
TOTAL / OVERALL		6	38.406	29.688	21.625	2,763	10,806

**ALL DIMENSIONS IN INCHES*



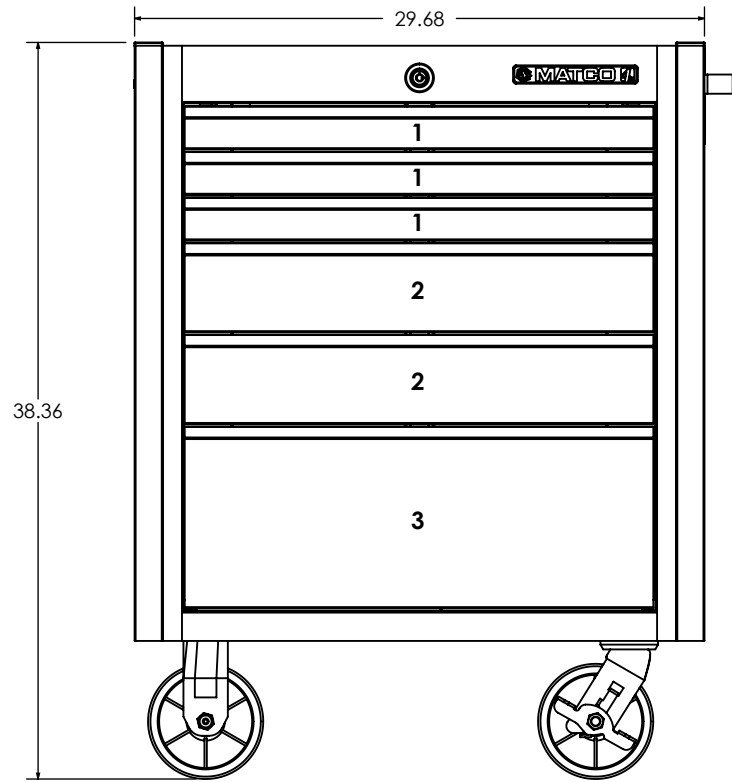
4122R

4S 1BAY 22" TOOLBOX

REPLACEMENT PARTS			
ITEM	PART #	DESCRIPTION	QTY/BOX
1	BOLT-012	5/16-18 X 5/8 HWH CASTER BOLT	16
2	BORD-4122R	TOP BOARD	1
	SST-4122R	STAINLESS STEEL TOP	
3	CAPS-011	CORNER CAPS	2
4	CAPS-020	NYLON LOCK ROD CAP	1
5	CHRN-619M	DRAWER SLIDES	12
6	CSTR-028	6X2 SWIVEL CASTER	2
7	CSTR-048	6X2 RIGID CASTER	2
8	DLKT-4122R	LINER KIT	1
9	HDWE-CORESH	MRSH-304 HARDWARE	1
10	LOCK-017	1 TUBAR LOCK W/ 2 KEYS	1
	LOCK-017B	BLACK TUBAR LOCK W/ 2 KEYS	
11	MLRA-005	LOCK CAM	1
12	NMPL-SMATCO	SMALL MATCO	1
13	OMNL12	OWNERS MANUAL	1
14	RODS-030	LOCK ROD	1
15	SCRW-027	8-32X1/4"PPH SCREW (DWR TO	12
16	SCRW-047	#8 X 1/4" TORX PH SCREW (CASE TO	12
17	MRSH-292	SIDE HANDLE	1
18	SPRG-011	LOCKBAR SPRING	1
19	STRP-C24406	STRIP HANDLE - CHROME	6
	STRP-BB24406	STRIP HANDLE - BLACK	
20	TBCERT07	TOOLBOX CERTIFICATION	1
21	4122R044	LOCKBAR	1
22	4122R053	#1 DRAWER	3
23	4122R055	#2 DRAWER	2
24	4122R056	#4 DRAWER	1
25			
26			
27			
28			

REVISION	DESCRIPTION	DATE	BY	EC #
A	CREATION	1/30/2019	SRG	

4122R

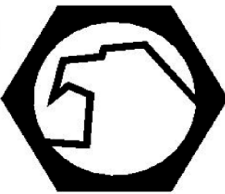


DRAWER PART NO.	DRAWER NO.	QTY.	H	W	D	SQ. IN.	CU. IN.
4122R-053	1	3	1 29/32	23 1/2	19 19/32	1382	2634
4122R-055	2	2	4 5/16	23 1/2	19 19/32	921	3972
4122R-056	3	1	9 1/8	23 1/2	19 19/32	461	4202
TOTAL		6	38 13/32	29 11/16	21 5/8	2764	10808

KEY NO. SERIAL NO. RANGE (After):

MATCO TOOLS

JAMESTOWN PLANT
160 CHAUTAUQUA AVENUE
LAKEWOOD, NY 14750



DWG. NO. 4122R-SPEC

REV. A
LEVEL 06-27-07