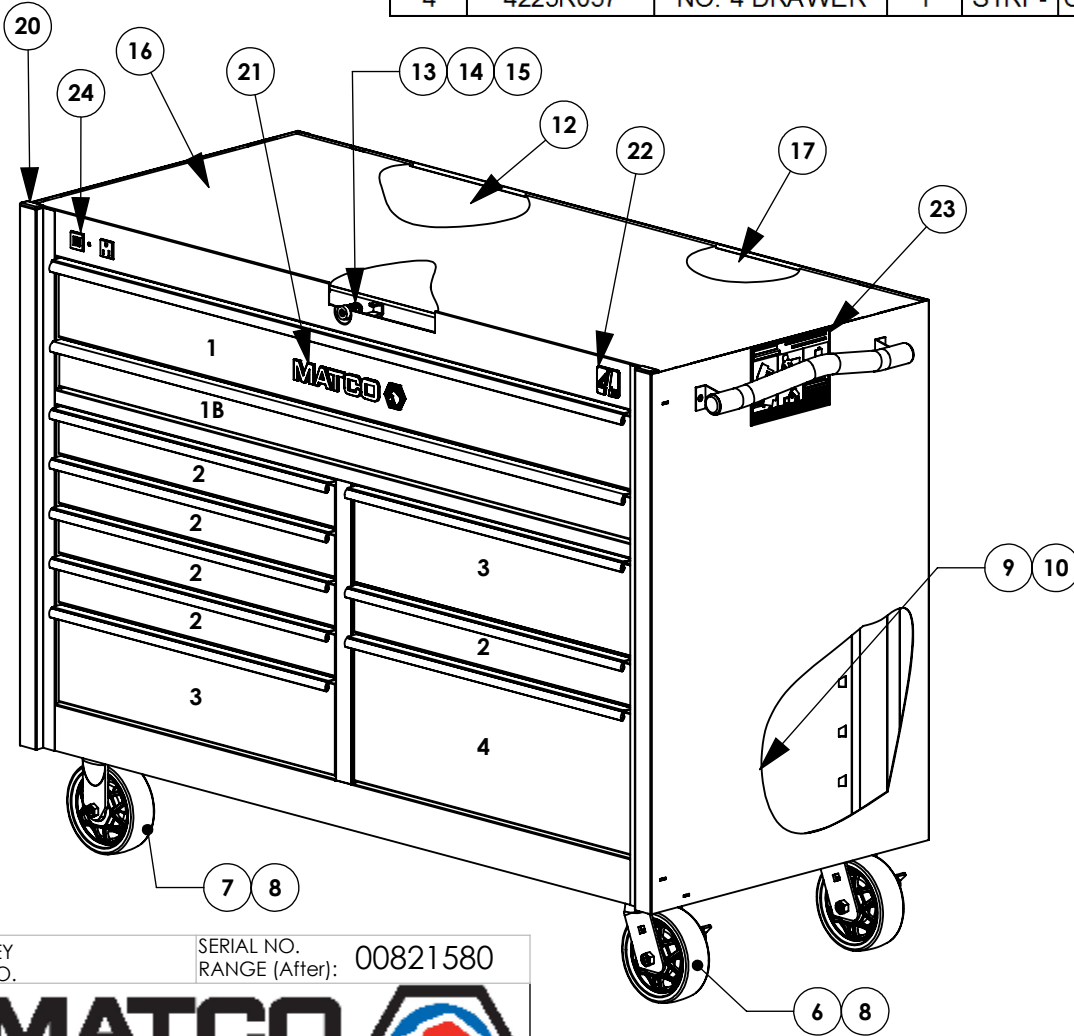


4225RP

Date of Manufacture: After 1/11/15

DRAWERS				DRAWER HANDLES			DWR. SLIDES			LINER
ITEM	DRW. PART #	DESCRIPTION	QTY/BOX	HNDL. PART #		QTY/DWR	SLIDE PART #	QTY./DWR.	SCRW027 QTY/DWR	
1	4225R053	NO. 1 DRAWER	1	STRP-C50531	BB50531	1	CHRN-622M	4	4	L34
1B	4225RP053B	NO. 1B DRAWER	1	STRP-C50531	BB50531	1	CHRN-622M	2	2	L34
2	4225R055	NO. 2 DRAWER	5	STRP-C24406	BB24406	1	CHRN-622M	2	2	L35
3	4225R056	NO. 3 DRAWER	2	STRP-C24406	BB24406	1	CHRN-622M	2	2	L35
4	4225R057	NO. 4 DRAWER	1	STRP-C24406	BB24406	1	CHRN-622M	4	4	L35



CASTERS			
ITEM	PART #	DESCRIPTION	QTY
6	CSTR-026CS	6X2 CHROME SWIVEL POLY WHEEL	2
7	CSTR-046CS	6X2 CHROME RIGID POLY WHEEL	2
8	BOLT-012	5/16" x 3/4" HEX HEAD BOLT	4/CSTR

LOCKING			
ITEM	PART #	DESCRIPTION	QTY
9	4225RP044	LOCKBAR	2
10	SPRG-013	LOCK BAR SPRING	2
11	RODS-029	LOCK ROD	1
12	6228R001	LOCKBAR ACTUATOR	1
13	MLRA-007	LOCK ROD ACTUATOR	1
14	LOCK-017	LOCK W/ 2 KEYS	1
15	CAPS-020	LOCK ROD CAP	1

MISC.			
ITEM	PART #	DESCRIPTION	QTY
16	RPT-4225RP	RIGID POLY TOP BOARD	1
17	MLBP-615	LOCK BAR ACCESS PLATE	2
18	SHNDL-400	ROLLAWAY SIDE HANDLE	1
19	HDWE-CORESH	SIDE HANDLE HDWE KIT	1
20	CAPS-011	END CAPS	2
21	NMPL-LMATCO	LARGE MATCO NAMEPLATE	1
22	NMPL-4S	4S NAMEPLATE	1
23	LABL-028	CAUTION LABEL	1
24	PWRSTRP6U4	POWER STRIP	1
	OMNL12	OWNERS MANUAL	1
		TOUCHUP PAINT BOTTLE	1

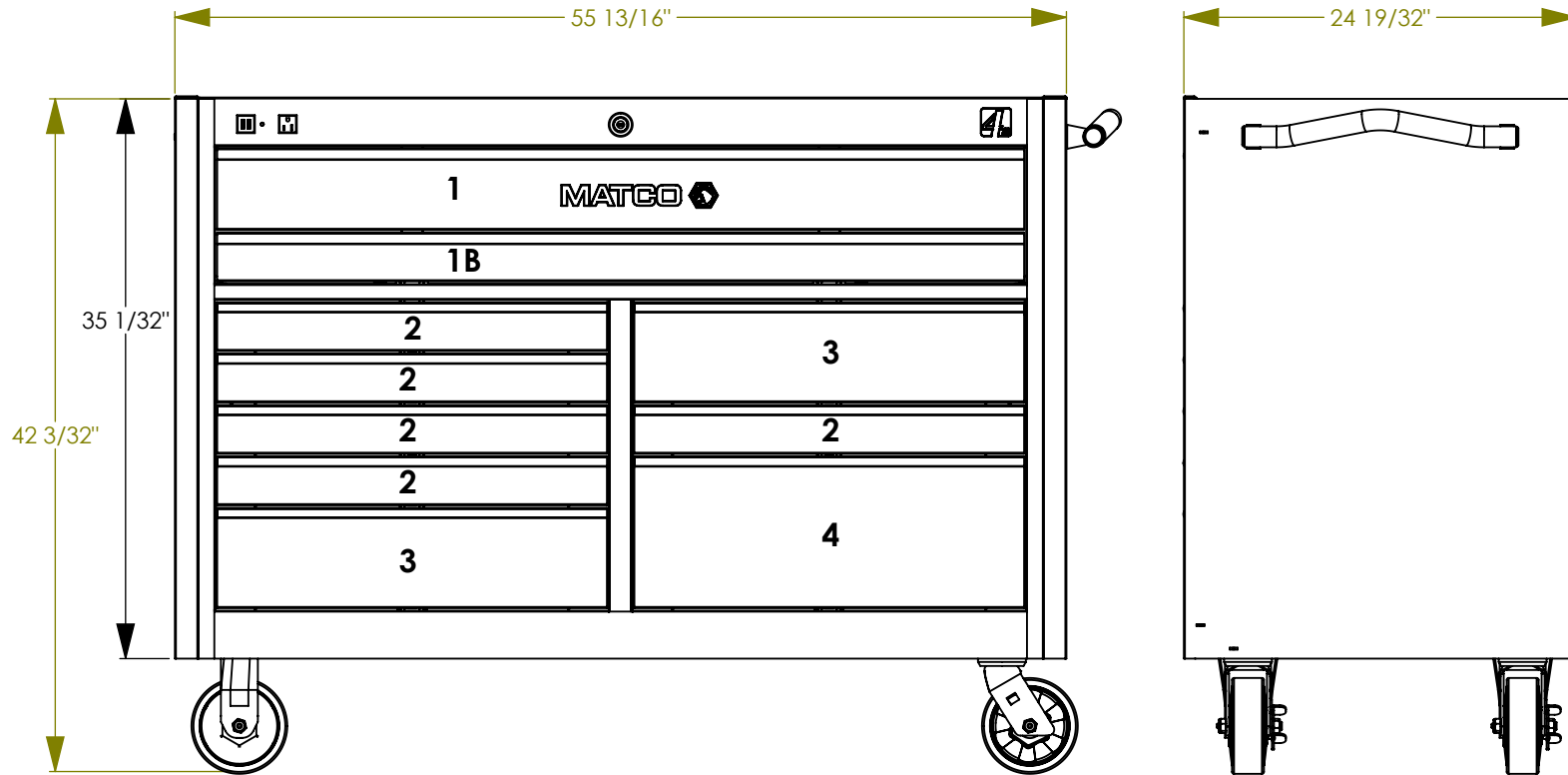
KEY NO. SERIAL NO. RANGE (After): 00821580


MATCO TOOLS
JAMESTOWN TOOLBOX PLANT
160 CHAUTAUQUA AVENUE LAKEWOOD, NY 14750

DWG. NO. 4225RP-3D REV. LEVEL D 8/17/17

REV	DESCRIPTION	DATE	ECN #	BY
D	UPDATE CASTER P/N	8/17/17	EC-17-0016	DGS

4225RP



KEY NO.	SERIAL NO. RANGE (After):
 <p>MATCO TOOLS JAMESTOWN TOOLBOX PLANT 160 CHAUTAUQUA AVENUE LAKEWOOD, NY 14750</p>	
DWG. NO. 4225RP-SPEC	REV. A LEVEL 7-21-15

DRAWER #	DRAWER PART #	QTY	H	W	D	SQ. IN.	CU. IN.
1	4225R053	1	4 3/8	49 5/8	22 19/32	1121	4905
1B	4225RP053B	1	2 5/8	49 5/8	22 19/32	1121	2943
2	4225R055	5	2 5/8	23 1/2	22 19/32	2655	6969
3	4225R056	2	5 27/32	23 1/2	22 19/32	1062	6206
4	4225R057	1	9 1/16	23 1/2	22 19/32	531	4812
TOTALS		10	42 3/32	55 13/16	24 19/32	6490	25835