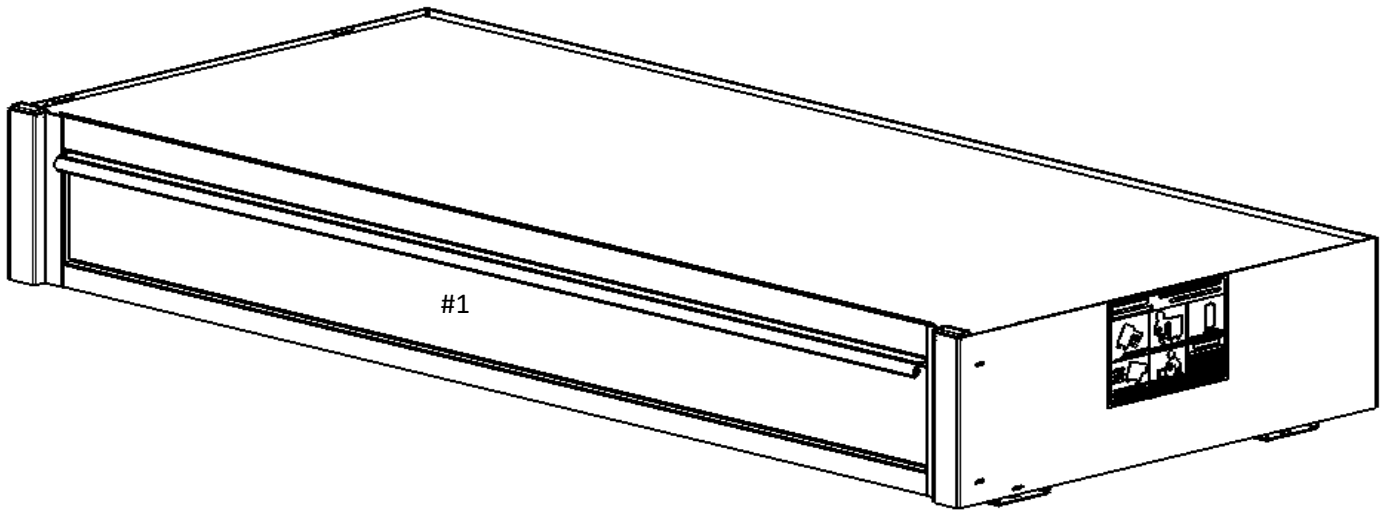




4228TD

4S 2 Bay 28" Top Drawer



SPECIFICATIONS							
PART NUMBER	DESCRIPTION	QTY	HEIGHT	WIDTH	DEPTH	SQ IN	CU IN
4228RP-053	#1 DRAWER	1	4.375	49.625	25.594	1,270	5,557
TOTAL / OVERALL		1	8.321	55.828	27.600	1,270	5,557

**ALL DIMENSIONS IN INCHES*



4228TD

4S 2 Bay 28" Top Drawer

REPLACEMENT PARTS			
ITEM	PART #	DESCRIPTION	QTY/BOX
1	BOLT-020	5/16-18 X 1-3/4 IN HEX BOLT	2
2	CAPS-011	4S CORNER CAP	2
3	CHRN-625M	DRAWER SLIDES	4
4	L41	WIDE DRAWER LINER	1
5	RPT-4228RP	TOP BOARD	1
	SST-4228R	STAINLESS STEEL TOP	
6	SCRW-027	8-32X1/4"PPH SCREW (DWR TO SLIDE, 2/DWR)	4
7	SCRW-047	#8 X 1/4" TORX PH SCREW (CASE TO SLIDE, 2/DWR)	4
8	SPRG-011	LOCK BAR SPRING	2
9	STRP-C50531	STRIP HANDLE - CHROME	1
	STRP-BB50531	STRIP HANDLE - BLACK	
10	OMNL12	OWNERS MANUAL	1
	HDWE-TCHEX	HARDWARE PACK, STACK	1
11	5225TD-044	LOCK BAR	2
12	MLBP-615	LOCK BAR ACCESS PLATE	2
13	4228RP053	#1 DRAWER	1
14			
15			
16			
17			
18			
19			
20			
21			
22			
23			
24			

REVISION	DESCRIPTION	DATE	BY	EC #
A	CREATION	1/30/2019	SRG	