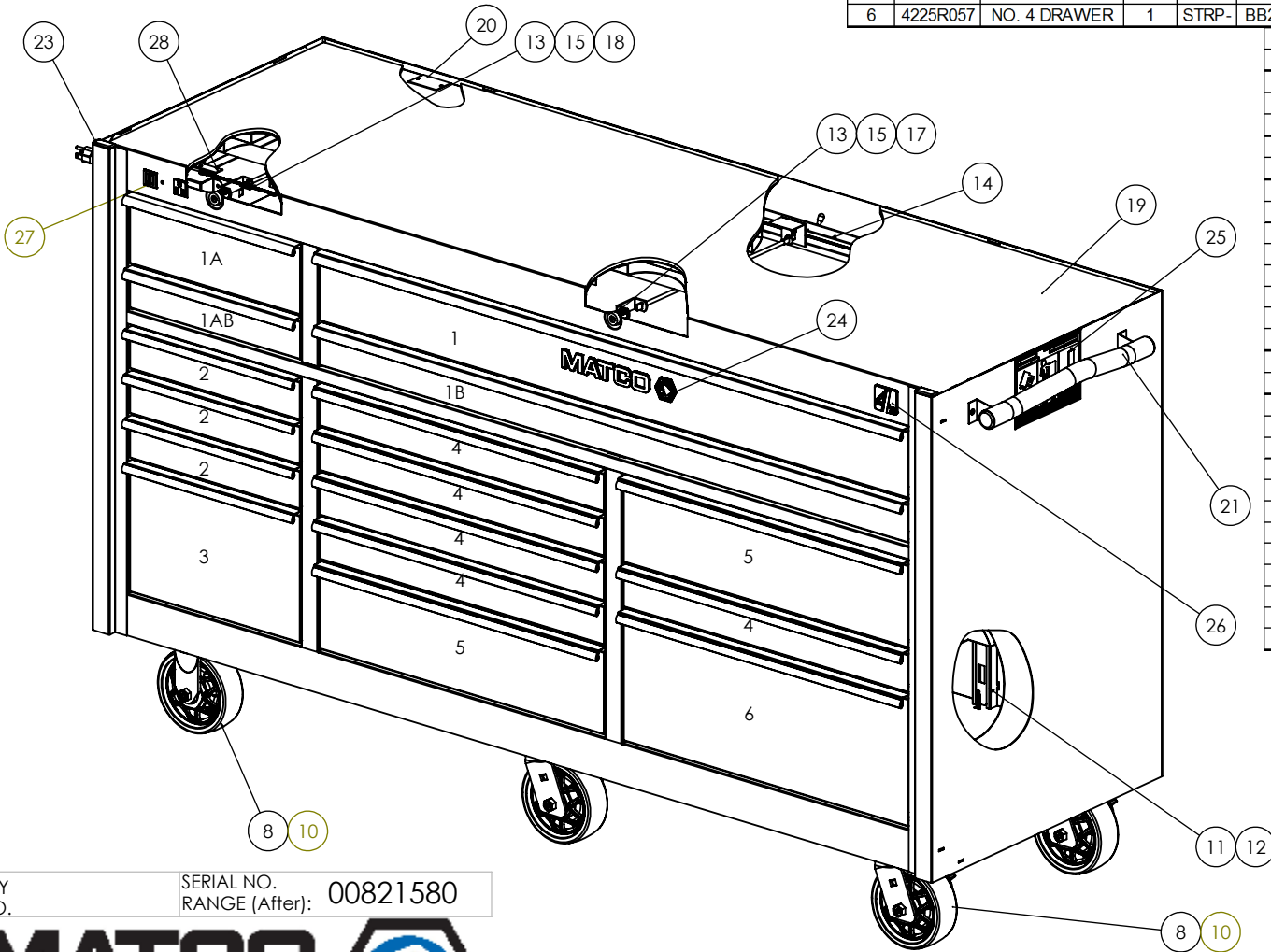


4325RP

Date of Manufacture: after 1/11/15



DRAWERS				DRAWER HANDLES				DRAWER SLIDES			LINERS
ITEM	DRAWER PART NO.	DESCRIPTION	QTY/BOX	HANDLE PART NO.		QTY/D	SLIDE PART NO.	QTY/DWR	SCRW027 QTY/DWR		
				BLACK	CHROME	WR					
1	4225R053	NO. 1 DRAWER	1	STRP-	BB50531	C50531	1	CHRN-622M	4	4	L34
1B	4225R053B	NO. 1B DRAWER	1	STRP-	BB50531	C50531	1	CHRN-622M	2	2	L34
1A	4325R054	NO. 1A DRAWER	1	STRP-	BB14594	C14594	1	CHRN-622M	2	2	L36
1AB	4325R054B	NO. 1AB DRAWER	1	STRP-	BB14594	C14594	1	CHRN-622M	2	2	L36
2	4325R055	NO. 2 DRAWER	3	STRP-	BB14594	C14594	1	CHRN-622M	2	2	L36
3	4325R056	NO. 3 DRAWER	1	STRP-	BB14594	C14594	1	CHRN-622M	4	4	L36
4	4225R055	NO. 2 DRAWER	5	STRP-	BB24406	C24406	1	CHRN-622M	2	2	L35
5	4225R056	NO. 3 DRAWER	2	STRP-	BB24406	C24406	1	CHRN-622M	2	2	L35
6	4225R057	NO. 4 DRAWER	1	STRP-	BB24406	C24406	1	CHRN-622M	4	4	L35

CASTERS			
ITEM	PART NO.	DESCRIPTION	QTY
8	CSTR-026CS	SWIVEL CASTER BLK	4
9	CSTR-046CS	RIGID CASTER BLK	2
10	BOLT012	5/16"x3/4" HEX HD BOLT	4/CSTR

LOCKING			
ITEM	PART NO.	DESCRIPTION	QTY
11	4225RP044	LOCKBAR	3
12	SPRG013	LOCK BAR SPRING	3
13	RODS029	LOCK ROD	2
14	6228R001	LOCK BAR ACTUATOR	1
15	LOCK-016	(2) LOCKS W/ (2) KEYS	1
16	CAPS020	LOCK ROD CAP	2
17	MLRA007	LOCK ACTUATOR	1
18	MLRA-005	LOCK ACTUATOR	1

MISC.			
ITEM	PART NO.	DESCRIPTION	QTY
19	RPT-4325RP	RIGID POLY TOP BOARD	1
20	6228R615	LOCK BAR ACCESS PLT	3
21*	SHNDL-400	ROLLAWAY SIDE HANDLE	1
22	HDWE-CORESH	SIDE HANDLE HARDWARE	1
23	CAPS011	END CAPS	2
24	NMPL-LMATCO	LARGE MATCO NAMEPLATE	1
25	LABL028	CAUTION LABEL	1
26	NMPL-4S	4S NAMEPLATE	1
27	PS6U4A120	POWER STRIP	1
28	4225RP-012	POWER STRIP BRACKET	1
	OMNL12	OWNERS MANUAL	1
		TOUCH-UP PAINT BOTTLE	1

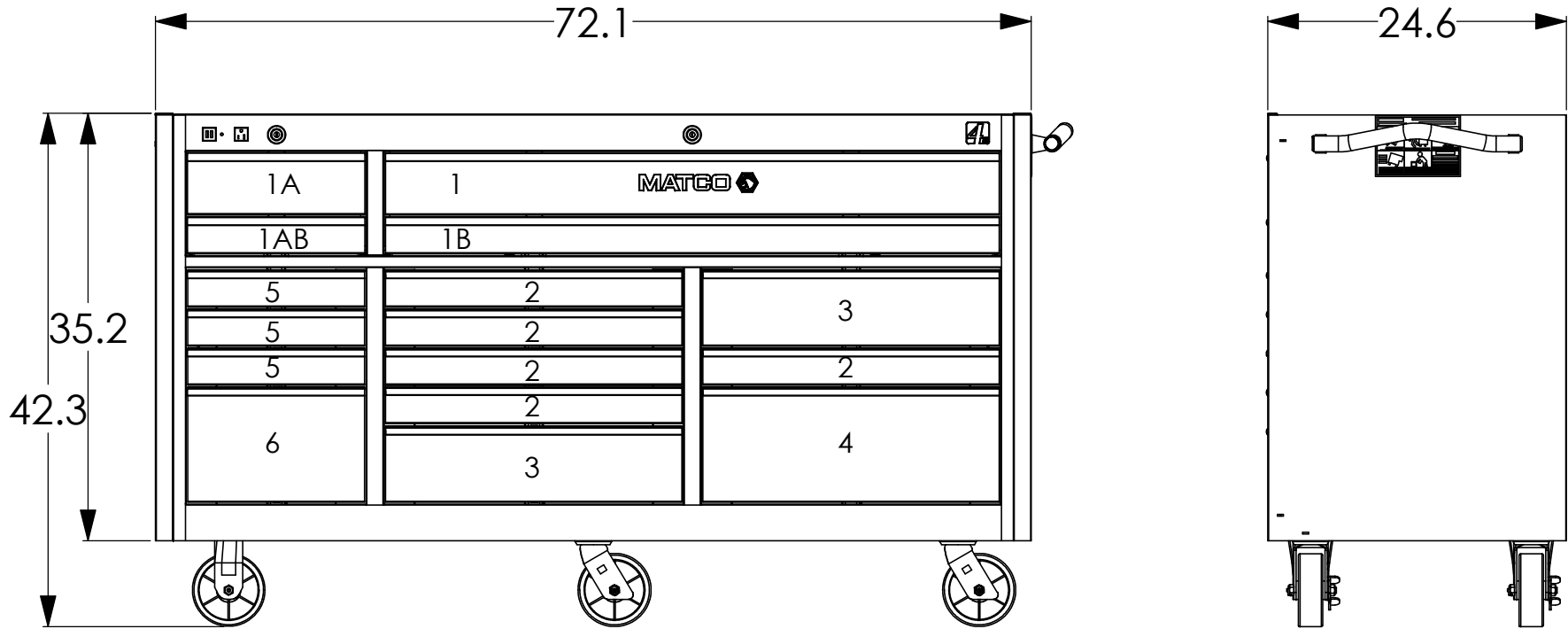
KEY NO. SERIAL NO. RANGE (After): 00821580



REV	DESCRIPTION	DATE	ECN #	BY
C	UPDATED 6" POWER STRIP P/N	4/19/18	EC-18-0072	BSC
B	UPDATE CASTER P/N	8/17/17	EC-17-0016	DGS

DWG. NO. 4325RP-3D

4325RP



DRAWER #	DRAWER P/N	QTY	H	W	D	SQ. IN.	CU. IN
1	4225R-053	1	4 3/8	50 1/8	22 19/32	1133	4955
1B	4225RX-053E	1	2 5/8	50 1/8	22 19/32	1133	2973
1A	4325R-054	1	4 3/8	13 21/32	22 19/32	309	1350
1AB	4325RX-054E	1	2 5/8	13 21/32	22 19/32	309	810
2	4225R-055	5	2 5/8	13 21/32	22 19/32	1543	4050
3	4225R-056	2	5 27/32	23 1/2	22 19/32	1062	6206
4	4225R-057	1	9 1/16	23 1/2	22 19/32	531	4812
5	4325R-055	3	2 5/8	13 21/32	22 19/32	926	2430
6	4325R-056	1	9 1/16	13 21/32	22 19/32	309	2796
TOTALS		16	42 13/32	72 1/8	24 39/64	7252	30380

KEY NO. SERIAL NO. RANGE (After):

MATCO TOOLS



JAMESTOWN PLANT
160 CHAUTAUQUA AVENUE
LAKEWOOD, NY 14750

DWG. NO. 4325RP-SPEC

REV. A
LEVEL 11-13-14