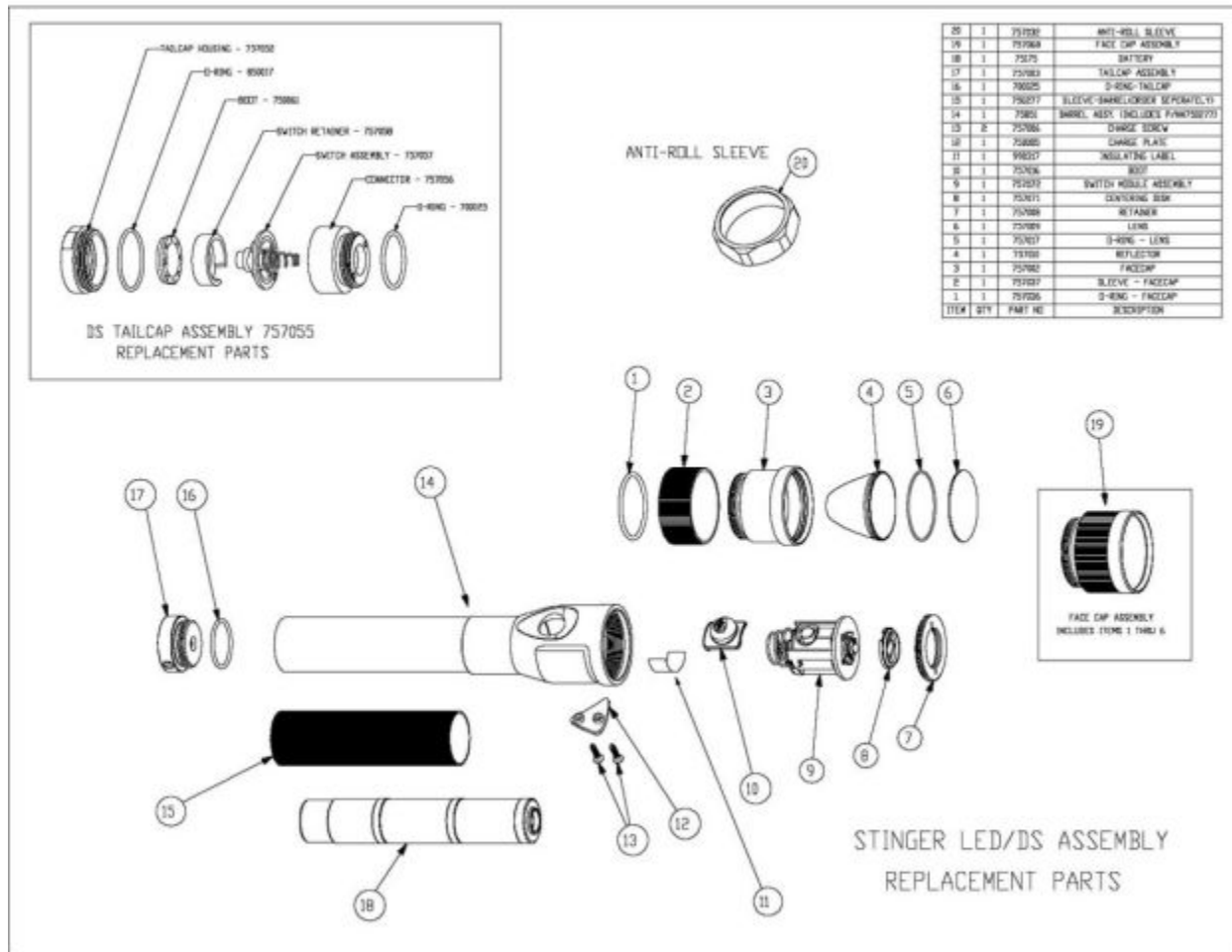


75625 - MATCO STINGER DS LED BLUE-PB



Item: 75625

Description: MATCO STINGER DS LED BLUE-PB

Notes: Streamlight warrants our products to be free of defects, including LED, for a lifetime of use. We will repair, replace or refund the purchase price, at our option, any Streamlight product that does not work as a result of a manufacturing defect for as long as you own it. This limited lifetime warranty excludes abuse, non-rechargeable batteries, bulbs, chargers, switches, electronics and normal wear and tear. Rechargeable batteries, chargers, switches and electronics have a two (2) year warranty with proof of purchase. ***** SEND WARRANTY REPAIRS TO: Streamlight, Inc., 30 Eagleville Road, Suite 100, Eagleville, PA 19403 USA. Phone: 800-523-7488*****NOT ALL PARTS LISTED ARE AVAILABLE FOR PURCHASE. LED IS NOT FIELD REPLACEABLE. BLUE BARREL AND HEAD NOT AVAILABLE - MUST SEND BACK TO FACTORY FOR WARRANTY***

Figure No	Part Number	Description	No. Reqd	Warranty Code
1	SO757036	O-RING FACECAP F/M75713	1	X
2	SO757037	FACE CAP SLEEVE F/ 75751	1	X
4	SO757010	REFLECTOR F/ LED STINGER	1	X
5	SO757017	LENS O RING F/ STINGER	1	X
6	SO757009	LENS F/ 75732	1	X
7	SO757008	RETAINER F/ STINGER LED	1	X
8	*SO757071	CENTERING DISK - NOT AVAILABLE FOR PURCHASE	1	
9	SO757072	SWITCH MODULE ASSY F/STINGER L	1	K
10	SO757016	SWITCH COVER F/STINGER LED	1	X
11	*SO990317	INSULATING LABEL - NOT AVAILABLE FOR PURCHASE	1	
12	SO750005	CHARGE PLATE F/M75001	1	X
13	SO757006	CHARGE SCREW F/STINGER	2	X
14	*SO****NOT AVAILABLE	***BLUE HEAD AND BARREL ASSEMBLY NOT AVAILABLE - SEND TO FACTORY	1	
15	SO750277	RUBBER SLEEVE F/STINGER XT	1	X
16	SO75851	PUSH BUTTON TAILCAP F/M75713	1	K
17	*SON/A	PART OF 757055	0	
18	75175	STINGER REPLACEMENT BATTERY	1	E
19	SO757047	FACE CAP ASSEMBLY F/ M75713	1	K
20	*SO757032	ANTI ROLL SLEEVE	1	