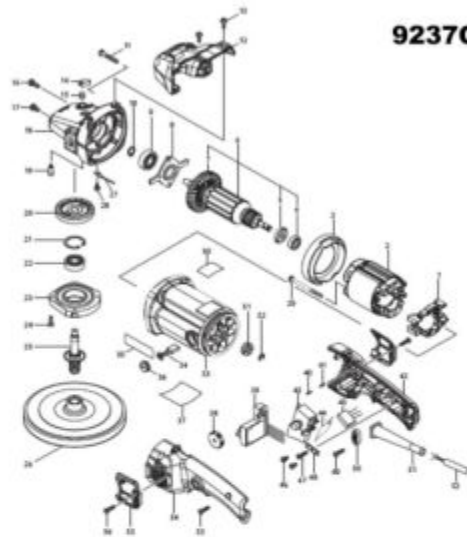


9237CX2 - POLISHER VALUE KIT

Model 9237C Parts List

A = Standard Equipment
 O = Circuit Diagram

Item#	Part#	Description	Qty	Unit
001	539186-8	SUPPORT ASSY	1	PC
	C10 054020-2	RING TERMINAL	1	PC
	C20 054555-3	CONNECTOR 34130	1	PC
002	034291-7	FIELD 115V	1	PC
003	418253-5	BAFFLE PLATE	1	PC
004	211031-6	BALL BEARING 808LLB	1	PC
005	081644-1	INSULATION WASHER	1	PC
006	518306-1	ARMATURE ASSY 115V INC. 4.5.7	1	PC
	D10			
007	340002-6	FAN 70	1	PC
008	265667-1	BEARING RETAINER 48	1	PC
009	211106-1	BALL BEARING 8201LLB	1	PC
010	961052-5	RETAINING RING 5-12	1	PC
011	268012-5	TAPPING SCREW 5X35	4	PC
012	485291-2	HEAD COVER	1	
013	011118-1	PAN HEAD SCREW M4X12	2	PC
014	415491-6	PIN CAP	1	PC
015	233072-2	COMPRESSION SPRING 8	1	PC
016	011221-8	PAN HEAD SCREW M5X16	1	PC
017	011211-1	PAN HEAD SCREW M5X12	1	PC
018	142747-1	GEAR HOUSING COMPLETE	1	PC
019	268504-2	SHOULDER PIN 9	1	PC
020	227512-0	SPIRAL BEVEL GEAR 52	1	PC
021	962151-6	RETAINING RING R-32	1	PC
022	211106-1	BALL BEARING 8201LLB	1	PC
023	316896-2	BEARING BOX	1	PC
024	268034-5	TAPPING SCREW CT 4X18	4	PC
025	152650-8	SPINDLE COMPLETE	1	PC
	C10 344347-5	LABYRINTH RING	1	PC
026	743052-5	PAD 165	1	PC
027	032783-0	LEAD UNIT	1	PC
028	052014-1	PAN HEAD SCREW M4X8	1	PC
029	268038-7	TAPPING SCREW 5X70	2	PC
030	804M7-2	INDICATION LABEL	1	PC
031	688110-9	MAGNET SLEEVE	1	PC
032	061012-7	STOP RING E-5	1	PC
033	142081-9	MOTOR HOUSING COMPLETE	1	
	C10 043706-9	BRUSH HOLDER 5-11	2	PC
034	CB303	CARBON BRUSH CB-303 (194995-6)	1	SET
036	043750-0	BRUSH HOLDER CAP 7-11	2	PC
037	815Y28-3	9237C NAME PLATE	1	
038	271417-8	DIAL 28	1	PC
039	031801-1	CONTROLLER	1	PC
040	265056-6	RIVET 2	1	PC
041	233002-3	COMPRESSION SPRING 3	1	PC
042	187917-5	HANDLE SET INC. 54	1	PC
	D10			
045	051282-3	SWITCH	1	PC
046	052014-1	PAN HEAD SCREW M4X8	2	PC
047	265095-6	TAPPING SCREW 4X18	1	PC
048	054571-5	TERMINAL BLOCK	1	PC
049	265095-6	TAPPING SCREW 4X18	2	PC



9237C

050	667053-9	CORD CLAMP	1	PC
051	662572-3	CORD GUARD 6	1	PC
052	064630-7	POWER SUPPLY CORD AWG#18-3-2.5	1	PC
053	265995-8	TAPPING SCREW 4X18	4	PC
054	187917-5	HANDLE SET INC. 42	1	PC
	D10			
055	455286-1	DUST COVER	2	
056	265995-8	TAPPING SCREW 4X18	2	PC
A02	266171-5	HEX. SOCKET HEAD BOLT M8X25	2	PC
A04	783204-6	HEX. WRENCH 6	1	PC
A05	455292-0	LOOP HANDLE	1	
A06	262542-4	SLEEVE 18	1	PC
A07	153489-2	GRIP 30 COMPLETE	1	PC
D01	054020-2	RING TERMINAL	1	PC
D02	054025-2	RECEPTACLE FS2 8B-1.25-5	1	PC
D03	054114-3	TERMINAL 31885	2	PC
D04	054555-3	CONNECTOR 34130	1	PC
D05	054556-7	INSULATED CONNECTOR	1	PC
D06	054622-4	SPLICE	2	PC

Item: 9237CX2

Description: POLISHER VALUE KIT

Notes: N/A

Figure No	Part Number	Description	No. Reqd	Warranty Code
-----------	-------------	-------------	----------	---------------