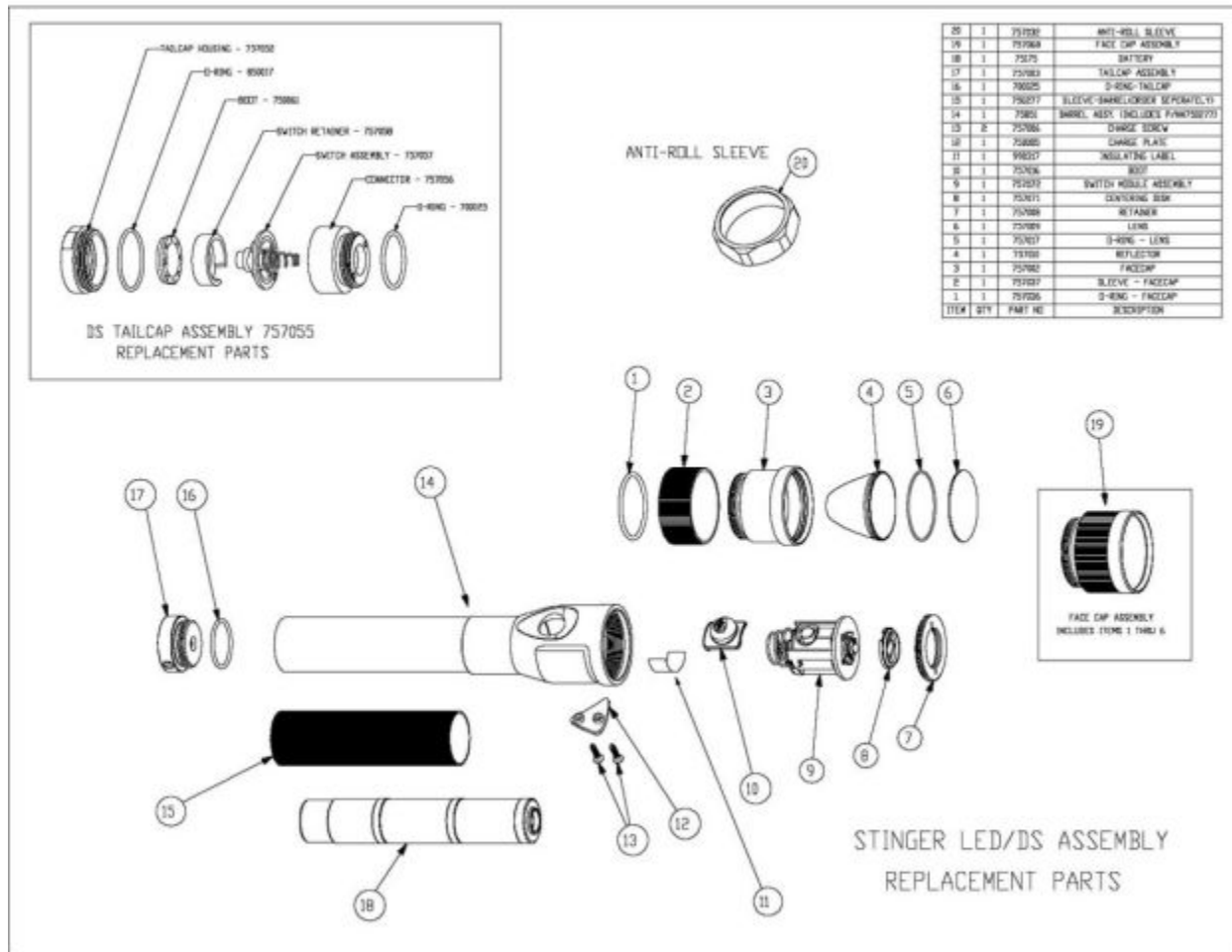


95055 - MATCO STINGER DS LED LIME-PB



Item: 95055

Description: MATCO STINGER DS LED LIME-PB

Notes: Streamlight warrants our products to be free of defects, including LED, for a lifetime of use. We will repair, replace, or refund the purchase price, at our option, any Streamlight product that does not work as a result of a manufacturing defect for as long as you own it. This Limited Lifetime warranty EXCLUDES abuse, non-rechargeable batteries, bulbs, chargers, switches, electronics and normal wear and tear. Rechargeable batteries, chargers, switches and electronics have a two (2) year warranty with proof of purchase.

*****Send any warranty/repair work to Streamlight, 30 Eagleville Road, Ste 100, Eagleville, PA 19403 USA. PHONE: 800-523-7488. *****Not all parts listed are available for purchase. Barrel/Head must be sent back to Streamlight for repair/replace.

Figure No	Part Number	Description	No. Reqd	Warranty Code
1	SO757036	O-RING FACECAP F/M75713	1	X
2	SO757037	FACE CAP SLEEVE F/ 75751	1	X
3	*SO757002	FACECAP - NOT AVAILABLE FOR PURCHASE	1	
4	SO757010	REFLECTOR F/ LED STINGER	1	X
5	SO757017	LENS O RING F/ STINGER	1	X
6	SO757009	LENS F/ 75732	1	X
7	SO757008	RETAINER F/ STINGER LED	1	X
8	*SO757071	CENTERING DISK - NOT AVAILABLE FOR PURCHASE	1	
9	SO757072	SWITCH MODULE ASSY F/STINGER L	1	K
10	SO757016	SWITCH COVER F/STINGER LED	1	X
11	*SO990317	INSULATING LABEL - NOT AVAILABLE FOR PURCHASE	1	
12	SO750005	CHARGE PLATE F/M75001	1	X
13	SO757006	CHARGE SCREW F/STINGER	2	X
14	*SOBARREL	BARREL ASSEMBLY - NOT AVAILABLE FOR PURCHASE	1	
15	SO750277	RUBBER SLEEVE F/STINGER XT	1	X
16	SO700025	TAIL CAP O RING F/M75001	1	X
16	SO700025	TAIL CAP O RING F/M75001	1	X
17	*SO757055	DS TAILCAP ASSEMBLY	1	
18	SO75175	BATTERY STICK STINGER	1	E
19	*SO757068	FACECAP ASSEMBLY- NOT AVAILABLE FOR PURCHASE	1	
20	*SO757032	ANTI-ROLL SLEEVE	1	