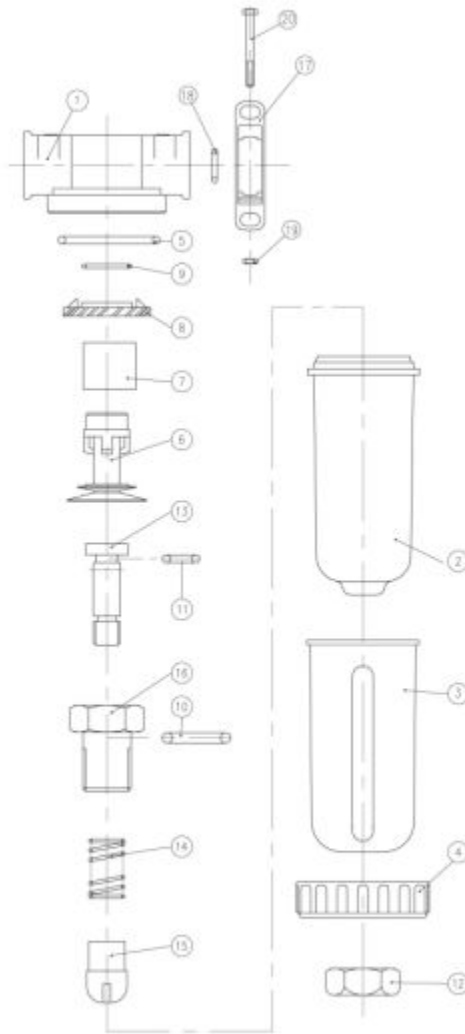


AL20 - FILTER 1/2" NPT



Item: AL20

Description: FILTER 1/2" NPT

**Notes:** \* Optional parts available for purchase to attach other air tool accessories. Only items identified by part numbers are available for purchase.

Figure No	Part Number	Description	No. Reqd	Warranty Code
1	*K7-	BODY	1	
2	K7RSAL2002	BOWL F/AL23	1	X
3	K7RSAL2003	SHATTERGUARD F/AL20	1	X
4	K7RSAL2004	FIXED RING FOR AL20	1	X
5	K7RSAL2005	O-RING FOR AN AL20	1	X
6	*K7-	BOWL BAFFLE	1	
7	K7RSAL2007	FILTER F/AL20	1	X
8	*K7-	INCEPTOR	1	
9	*K7-	O-RING	1	
10	K7RSAL2010	O-RING F/ AL20	1	X
11	*K7RSAL2011	O-RING	1	
12	*K7RSAL2012	NUT	1	
13	K7RSAL2013	PISTON F/ AL20	1	X
14	K7RSAL2014	SPRING F/AL20	1	X
15	K7RSAL2015	PISTON F/ AL20	1	X
16	K7RSAL2016	BODY F/AL20	1	X
17	K7RSAL2448	CONNECT ASSY INCL C8053, C8044	1	X
18	*K7*	O-RING (INLCUED IN #17)	1	
19	*K7*	NUT (INLCUED IN #17)	1	
20	*K7*	SCREW (INLCUED IN #17)	1	
21	*K7*	CONNECT LINK (INCLUDED WITH 17)	1	