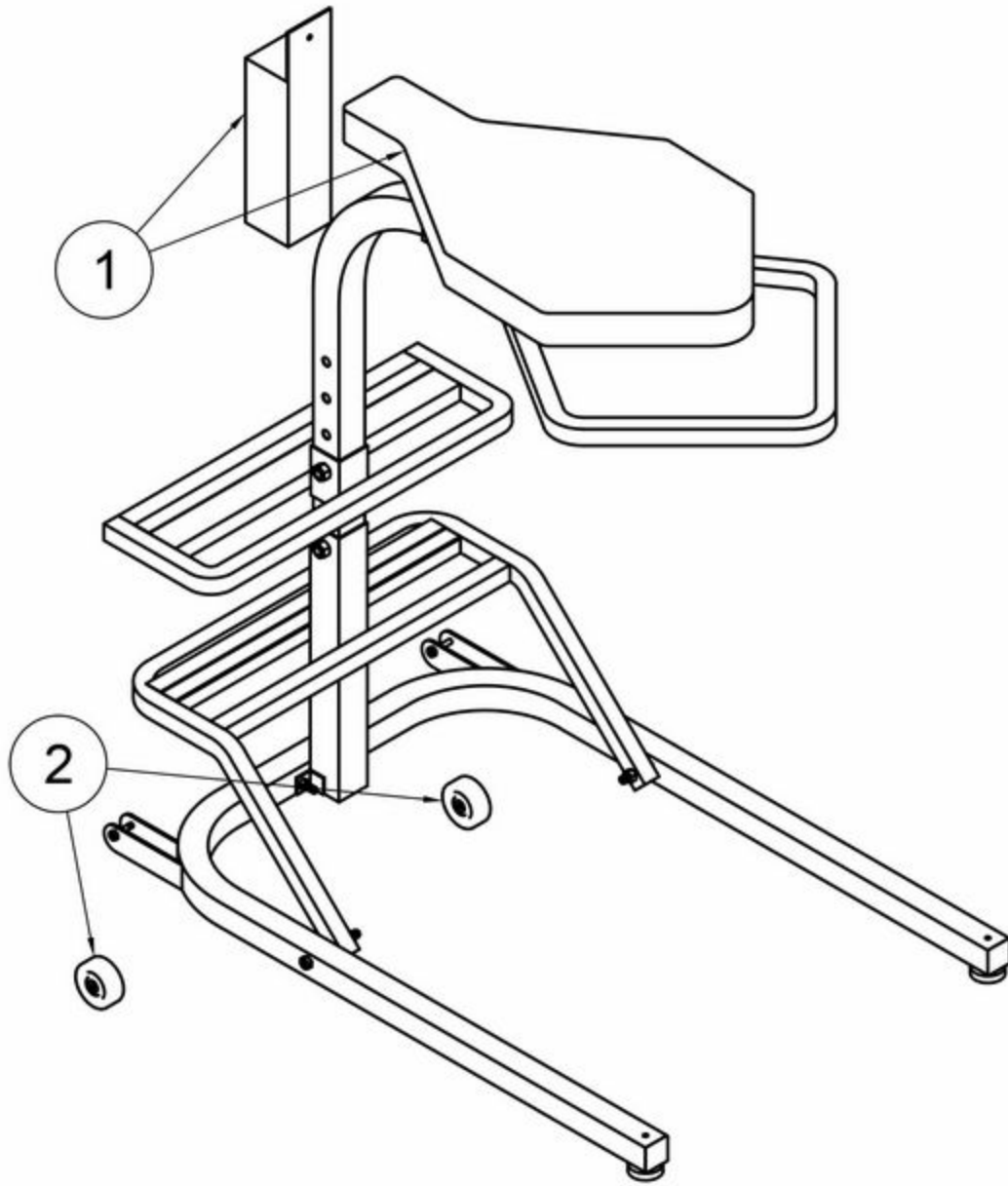


BMOTE - GOOSENECK OVER ENG CREEPER



Item: BMOTE

Description: GOOSENECK OVER ENG CREEPER

**Notes:** BMOTE warranty has been changed from a B warranty to an M warranty to promote part replacement rather than warranting the entire Seat. See the Parts Manual for available replacement parts prior to contacting the supplier or attempting to warranty the entire Seat. Have Proof of Purchase and any pictures showing the issue with the tool available when contacting the Supplier. Should the entire Seat need to be sent for warranty contact the Supplier at 740.363.1179 x222.

| Figure No | Part Number | Description                | No. Reqd | Warranty Code |
|-----------|-------------|----------------------------|----------|---------------|
| 1         | BMOTE-1     | TOP PAD FOR BMOTE          | 1        | B             |
| 2         | *BMOTE-4    | CASTER REPLACEMENT FOR OTE | 2        |               |