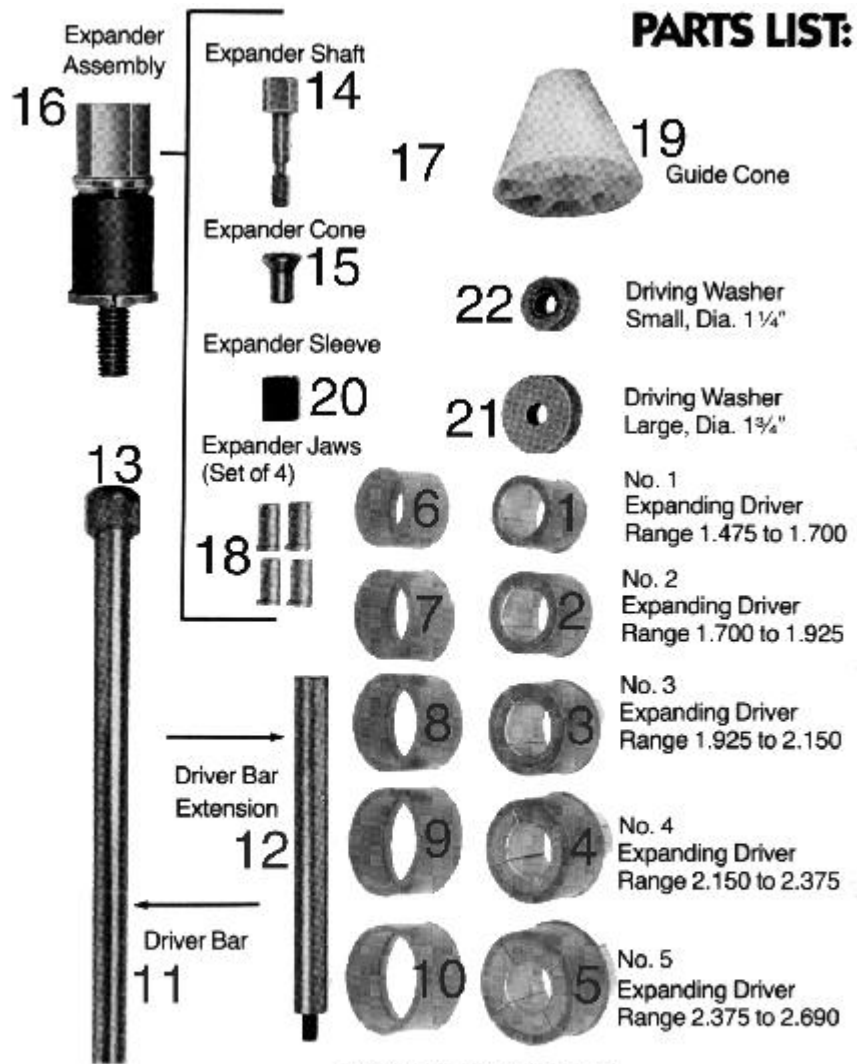


CBT18 - CAMSHAFT BEARING TOOL



BEARING SIZE I.D.

- 1.125 to 1.475
- 1.475 to 1.700
- 1.700 to 1.925
- 1.925 to 2.150
- 2.150 to 2.375
- 2.375 to 2.690

DRIVER RANGE TABLE

EXPANDING DRIVER
Expander Assembly
No. 1
No. 2
No. 3
No. 4
No. 5

USE WASHER

- Small
- Small
- Large
- Large
- Large
- Large

Item: CBT18

Description: CAMSHAFT BEARING TOOL

Notes: N/A

Figure No	Part Number	Description	No. Reqd	Warranty Code
0	HW18400.86	BOX F/CBT18	1	X
1	CBT18-18020	EX DRIVER	1	K
2	CBT18-18040	EXPANDING DRIVER	1	K
3	CBT18-18060	EX DRIVER	1	K
4	CBT18-18080	EX DRIVER	1	K
5	CBT18-18100	EX DRIVER	1	K
6	CBT18-18120	O RING SET F/18020	1	T
7	CBT18-18140	O RING SET F/18040	1	T
8	CBT18-18160	O RING SET F/18060	1	T
9	CBT18-18180	RUBBER SLEEVE F/18080	1	T
10	CBT18-18200	O RING SET F/18100	1	T
11	CBT18-18220	DRIVER BAR ASSEM	1	K
12	CBT18-18230	DRIVER BAR EX	1	K
13	HW18250	DRIVER STUD	1	X
14	CBT18-18270	KNURLED EX SHAFT	1	K
15	CBT18-18280	EX CONE	1	K
16	HW18330	EX ASSEMBLY W/JAWS	1	D
17	CBT18-18340	KNURLED EX CONE ASSEMBLY	1	K
18	CBT18-18350	EX JAW SET	1	K
19	CBT18-18390	GUIDE CONE	1	K
20	CBT18-18410	RUBBER SLEEVE	1	K
21	HW18420	DRIVING WASHER	1	X
22	CBT18-18430	DRIVING WASHER	1	K