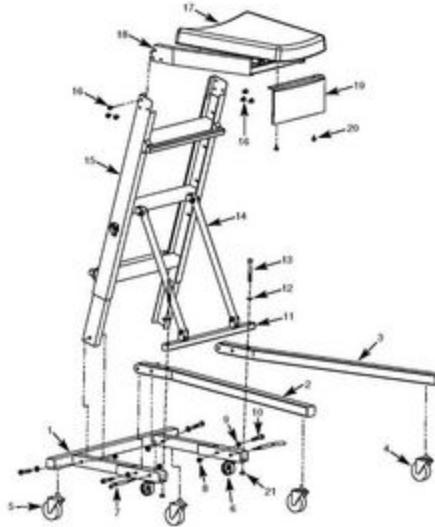


CRENGADJ - NEW ENGINE CREEPER



PARTS LIST

Key	Description	Part No.	Qty.	Key	Description	Part No.	Qty.
1	Base Assembly	10773.00	1	12	10mm Flat Washer	107	2
2	Right Leg	10774.00	1	13	10-1.5 x 80mm Socket Head Bolt	10783.00	2
3	Left Leg	10775.00	1	14	Support Bar	10784.00	2
4	3" Caster Without Brake	10776.00	2	15	Step Assembly	10785.00	1
5	3" Caster With Brake	10777.00	2	16	8-1.25 x 16mm Pan Head Screw	10786.00	6
6	2" Caster	10778.00	2	17	Chest Pad	10787.40	1
7	Locking Pin	10779.00	2	18	Chest Pad Frame Assembly	10788.00	1
8	10mm-1.5 Fiber Hex Nut	10790.00	4	19	Storage Bag	10789.00	1
9	10mm Flat Washer	107	4	20	1/4"-20 x 3/4" Pan Head Screw with Flat and Lock Washers	09627.01	2
10	10 x 1.5 x 50mm Pan Head Screw	10780.00	4	21	10mm-1.5 Fiber Hex Nut	10790.00	2
11	Support Bracket	10781.00	1				

Item: CRENGADJ

Description: NEW ENGINE CREEPER

Notes: N/A

Figure No	Part Number	Description	No. Reqd	Warranty Code
0	CRENGADJ	NEW ENGINE CREEPER	1	D
1	*N910773.00	BASE ASSEMBLY	1	
2	*N910774.00	RIGHT LEG	1	
3	*N910775.00	LEFT LEG	1	
4	*N910076.00	3	2	
5	*N910777.00	3" CASTER WITH BRAKE	2	
6	*N910778.00	2" CASTER	2	
7	*N910779.00	LOCKING PIN	2	
8	*N910790.00	10MM-1.5 FIBER HEX NUT	4	
9	*N9107	10MM FLAT WASHER	4	
10	*N910780.00	10 X 1.5 X 50MM PAN HEAD SCREW	4	
11	*N910781.00	SUPPORT BRACKET	1	
12	*N9107	10MM FLAT WASHER	2	
13	*N910783.00	10-1.5 X 80MM SOCKET HEAD BOLT	2	
14	*N910784.00	SUPPORT BAR	2	
15	*N910785.00	STEP ASSEMBLY	1	
16	*N910786.00	8-1.25 X 16MM PAN HEAD SCREW	6	
17	*N910787.40	CHEST PAD	1	
18	*N910788.00	CHEST PAD FRAME ASSEMBLY	1	
19	*N910789.00	STORAGE BAG	1	
20	*N903627.01	1/4"-20 X 3/4" PAN HEAD SCREW WITH FLAT AND LOCK WASHERS	2	

21 *N910790. 10MM-1.5 FIBER HEX NUT
00

2