



OWNER'S MANUAL

Model No. CRHDAB

Save This Manual For Future Reference

ADJUSTABLE BACKREST CREEPER

DESCRIPTION

Adjustable Backrest Creeper has 1" diameter welded steel tube frame. Frame is 20" wide and 44" long, upholstered vinyl fabric over 2" foam bed, backrest and headrest. Six 3" high-impact, non-marking, oil-resistant casters withstand harsh environments. Creeper has comfortable pillow style adjustable headrest. 500 pound load capacity with 1½" ground clearance.

ASSEMBLY INSTRUCTIONS

1. To install casters (Key No. 4) onto frame (Key No. 1), place creeper on a workbench.
2. Insert stem portion of caster into one (1) of the six (6) holes in bottom of frame. Make sure stem portion of caster fits completely into frame.
3. Repeat process for five (5) remaining casters. Make sure all six (6) casters are properly seated into holes in bottom of frame.
4. Mount adjustable headrest bracket assembly (Key No. 9) by aligning holes in bracket with T-nut holes in headrest (Key No. 3). Make sure bent pivoting rod of bracket assembly is towards thickest portion of headrest. Securely tighten four (4) flat head screws (Key No. 11) through headrest bracket and into headrest.
5. Align four holes in bottom plate of headrest bracket assembly with four holes in frame (Key No. 1) top support tubes. Insert pan head screw (Key No. 5) through headrest bracket and frame. Slide flat washer (Key No. 6) onto screw and secure with hex nut (Key No. 10). Repeat with three remaining pan head screws, flat washers and hex nuts. Securely tighten all hex nuts.

GENERAL SAFETY INSTRUCTIONS

- Do not stand on creeper.
- Do not use this creeper as a stool or bench.
- Only use creeper when fully assembled.
- Periodically check fasteners and tighten securely if needed.
- Never use creeper if it does not perform according to this manual.
- Do not exceed creeper maximum weight capacity of 500 pounds.

INDUSTRIAL SEATING LIMITED WARRANTY

Product is warranted against mechanical or structural failure due to defective material or workmanship for 1 year. Provided however, this warranty lasts only so long as you own your product. If you sell or otherwise transfer the product this warranty terminates automatically. Products that are damaged or made unserviceable by accidents, abuse, misuse or are altered in anyway are not covered by this warranty.

Matco Tools reserves the right to replace or recondition at its option, any units covered by this warranty. All return shipments require Material Return Authorization and must be freight prepaid unless otherwise approved in writing.

If any product covered under this warranty fails to meet the terms of this warranty or it is in any respect broken, defective or missing parts, please call us immediately at toll free 1-866-289-8665. Any attempts to make unauthorized repairs will void this warranty in every respect.

This warranty gives you specific legal rights. You may have other rights which vary from state to state, however such implied rights are limited to a period of one year from the date of your initial purchase. Some states do not allow limitations on how long an implied warranty lasts, so the above limitation may not apply to you.

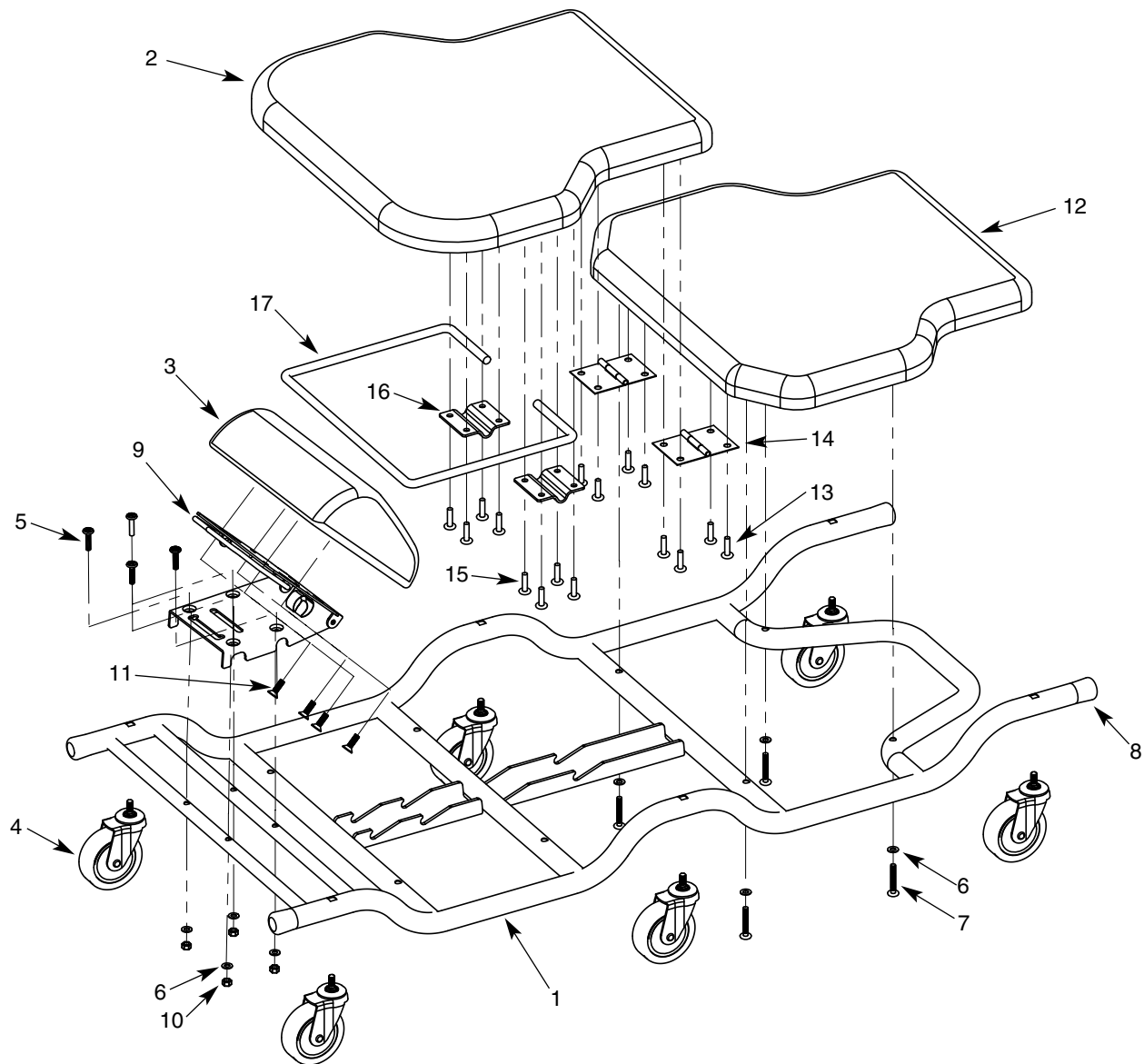
Matco Tools will in no event be liable for incidental or consequential damages for any amount in excess of the original purchase price. Some states do not allow exclusion or limitation of such damages, so the above limitation or exclusion may not apply to you.

HOW TO ORDER REPAIR PARTS

When ordering repair parts or reporting problems, always give the following information:

NAME OF ITEM	MODEL NUMBER
Adjustable Backrest Creeper	CRHDAB
PART DESCRIPTION	PART NUMBER
_____	_____

All parts listed may be ordered from Matco Tools® Customer Service at 1-866-289-8665.



PARTS LIST

KEY NO.	DESCRIPTION	QTY.	PART NO.
1	Frame	1	10797.00
2	Backrest	1	10798.04
3	Headrest	1	10416.01
4	Caster	6	10342.01
5	1/4" - 20 x 1 1/4" Phillips Pan Head Screw	4	07934.01
6	1/4" Flat Washer	12	10421.01
7	1/4" - 20 x 1 1/2" Phillips Pan Head Screw	8	10412.00
8	Cap	4	10424.00
9	Adjustable Headrest Bracket Assembly	1	10459.00
10	1/4" - 20 Hex Nut	4	10519.00
11	1/4" - 20 x 5/8" Flat Head Screw	4	10520.00
12	Bed	1	10799.00
13	1/4"-20 x 5/8" Phillips Pan Head Screw with Washers	8	10338.01
14	Backrest Bracket	2	10800.00
15	Phillips Pan Head Screw, 5-0.8 x 12mm	8	10801.00
16	Backrest Brace Bracket	2	10802.00
17	Backrest Brace	1	10803.00