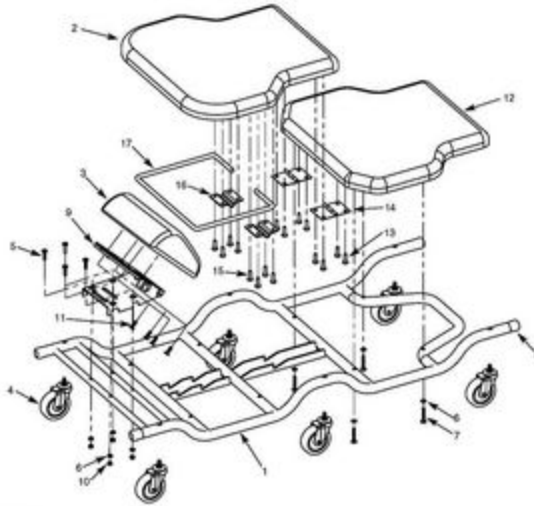


# CRHDAB - ADJUSTABLE BACKREST CREEPER



## PARTS LIST

| KEY NO. | DESCRIPTION   | QTY. | PART NO. |
|---------|---|------|----------|
| 1       | Frame   | 1    | 10797.00 |
| 2       | Backrest  | 1    | 10798.04 |
| 3       | Headrest  | 1    | 10416.01 |
| 4       | Caster  | 6    | 10342.01 |
| 5       | 1/4" - 20 x 1/8" Phillips Pan Head Screw            | 4    | 07934.01 |
| 6       | 1/4" Flat Washer                                    | 12   | 10421.01 |
| 7       | 1/4" - 20 x 1/16" Phillips Pan Head Screw           | 8    | 10412.00 |
| 8       | Cap   | 4    | 10424.00 |
| 9       | Adjustable Headrest Bracket Assembly                | 1    | 10459.00 |
| 10      | 1/4" - 20 Hex Nut                                   | 4    | 10519.00 |
| 11      | 1/4" - 20 x 5/8" Flat Head Screw                    | 4    | 10520.00 |
| 12      | Pad   | 1    | 10799.00 |
| 13      | 1/4"-20 x 5/8" Phillips Pan Head Screw with Washers | 8    | 10338.01 |
| 14      | Backrest Bracket                                    | 2    | 10800.00 |
| 15      | Phillips Pan Head Screw, 5-0.8 x 12mm               | 8    | 10801.00 |
| 16      | Backrest Brace Bracket                              | 2    | 10802.00 |
| 17      | Backrest Brace                                      | 1    | 10803.00 |

Item: CRHDAB

Description: ADJUSTABLE BACKREST CREEPER

Notes: N/A

| Figure No | Part Number | Description   | No. Reqd | Warranty Code |
|-----------|-------------|---|----------|---------------|
| 0         | CRHDAB      | ADJUSTABLE BACKREST CREEPER                         | 1        | D             |
| 1         | *N910797.00 | FRAME   | 1        |               |
| 2         | *N910798.04 | BACKREST  | 1        |               |
| 3         | *N910416.01 | HEADREST  | 1        |               |
| 4         | N910342-01  | NON BRAKING CASTER F/ THD394                        | 6        | D             |
| 5         | *N907934.01 | 1/4"-20 X 1-1/4" PHILLIPS PAN HEAD SCREW            | 4        |               |
| 6         | *N910421.01 | 1/4" - FLAT WASHER                                  | 12       |               |
| 7         | *N910412.00 | 1/4"-20 X 1-1/2" PHILLIPS PAN HEAD SCREW            | 8        |               |
| 8         | *N910424.00 | CAP   | 4        |               |
| 9         | *N910459.00 | ADJUSTABLE HEADREST BRACKET ASSEMBLY                | 1        |               |
| 10        | *N910519.00 | 1/4" - 20 HEX NUT                                   | 4        |               |
| 11        | *N910520.00 | 1/4"-20 X 5/8" FLAT HEAD SCREW                      | 4        |               |
| 12        | *N910799.00 | BED   | 1        |               |
| 13        | *N910338.01 | 1/4"-20 X 5/8" PHILLIPS PAN HEAD SCREW WITH WASHERS | 8        |               |
| 14        | *N910800.00 | BACKREST BRACKET                                    | 2        |               |
| 15        | *N910801.00 | PHILLIPS PAN HEAD SCREW, 5-0.8 X 12MM               | 8        |               |
| 16        | *N910802.00 | BACKREST BRACE BRACKET                              | 2        |               |
| 17        | *N910803.00 | BACKREST BRACE                                      | 1        |               |