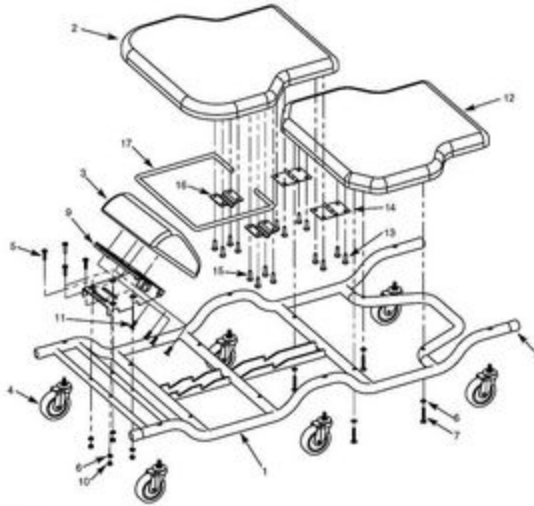


CRHDWB - HEAVY DUTY WIDE BODY CREEPER



PARTS LIST

KEY NO.	DESCRIPTION	QTY.	PART NO.
1	Frame	1	10797.00
2	Backrest	1	10798.04
3	Headrest	1	10416.01
4	Caster	6	10342.01
5	1/4" - 20 x 1/8" Phillips Pan Head Screw	4	07934.01
6	1/4" Flat Washer	12	10421.01
7	1/4" - 20 x 1/4" Phillips Pan Head Screw	8	10412.00
8	Cap	4	10424.00
9	Adjustable Headrest Bracket Assembly	1	10459.00
10	1/4" - 20 Hex Nut	4	10519.00
11	1/4" - 20 x 5/8" Flat Head Screw	4	10520.00
12	Bad	1	10799.00
13	1/4"-20 x 5/8" Phillips Pan Head Screw with Washers	8	10339.01
14	Backrest Bracket	2	10800.00
15	Phillips Pan Head Screw, 5-0.8 x 12mm	8	10801.00
16	Backrest Brace Bracket	2	10802.00
17	Backrest Brace	1	10803.00

Item: CRHDWB

Description: HEAVY DUTY WIDE BODY CREEPER

Notes: N/A

Figure No	Part Number	Description	No. Reqd	Warranty Code
0	CRHDWB	HEAVY DUTY WIDE BODY CREEPER	1	D
1	*N910797.00	FRAME	1	
2	*N910798.04	BACKREST	1	
3	*N910416.01	HEADREST	1	
4	N910342-01	NON BRAKING CASTER F/ THD394	6	D
5	*N907934.01	1/4"-20 X 1-1/4" PHILLIPS PAN HEAD SCREW	4	
6	*N910421.01	1/4" - FLAT WASHER	12	
7	*N910412.00	1/4"-20 X 1-1/2" PHILLIPS PAN HEAD SCREW	8	
8	*N910424.00	CAP	4	
9	*N910459.00	ADJUSTABLE HEADREST BRACKET ASSEMBLY	1	
10	*N910519.00	1/4" - 20 HEX NUT	4	
11	*N910520.00	1/4"-20 X 5/8" FLAT HEAD SCREW	4	
12	*N910799.00	BED	1	
13	*N910338.01	1/4"-20 X 5/8" PHILLIPA PAN HEAD SCREW WITH WASHERS	8	
14	*N910800.00	BACKREST BRACKET	2	
15	*N910801.00	PHILLIPS PAN HEAD SCREW, 5-0.8 X 12MM	8	
16	*N910802.00	BACKREST BRACE BRACKET	2	
17	*N910803.00	BACKREST BRACE	1	