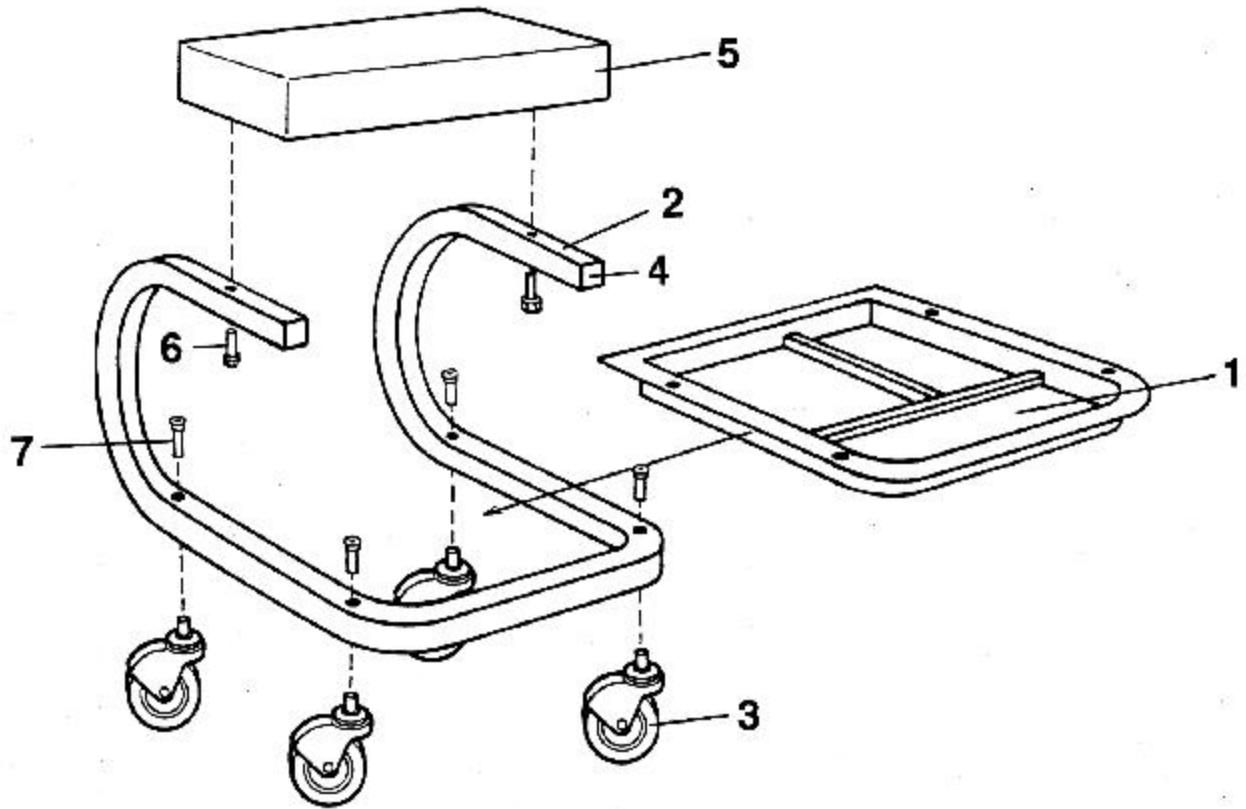


CS2A - PADDED SEAT W/ PLASTIC PAN



Item: CS2A

Description: PADDED SEAT W/ PLASTIC PAN

**Notes:** CS2A warranty has been changed from a B warranty to an M warranty to promote part replacement rather than warranting the entire Seat. See the Parts Manual for available replacement parts prior to contacting the supplier or attempting to warranty the entire Seat. Have Proof of Purchase and any pictures showing the issue with the tool available when contacting the Supplier. Should the entire Seat need to be sent for warranty contact the Supplier at 740.363.1179 x222.

Figure No	Part Number	Description	No. Reqd	Warranty Code
1	BMCS2A-1	SPP1 TRAY F/ CS2A	1	K
2	BMCS2A-2	SEAT FRAME	1	X
3	CS2A3	BLACK ROLLER W/ HDWR FOR CS2A	1	T
4	BMCS2A-4	CAP	1	X
5	BMCS2A-5	PADDED SEAT FOR SPP (CS25DT	1	K
6	BMCS2A-6	BOLT TO ATTACH TO FRAME	1	B
7	BMCS2A-7	CS2A INSERT ONLY	4	K