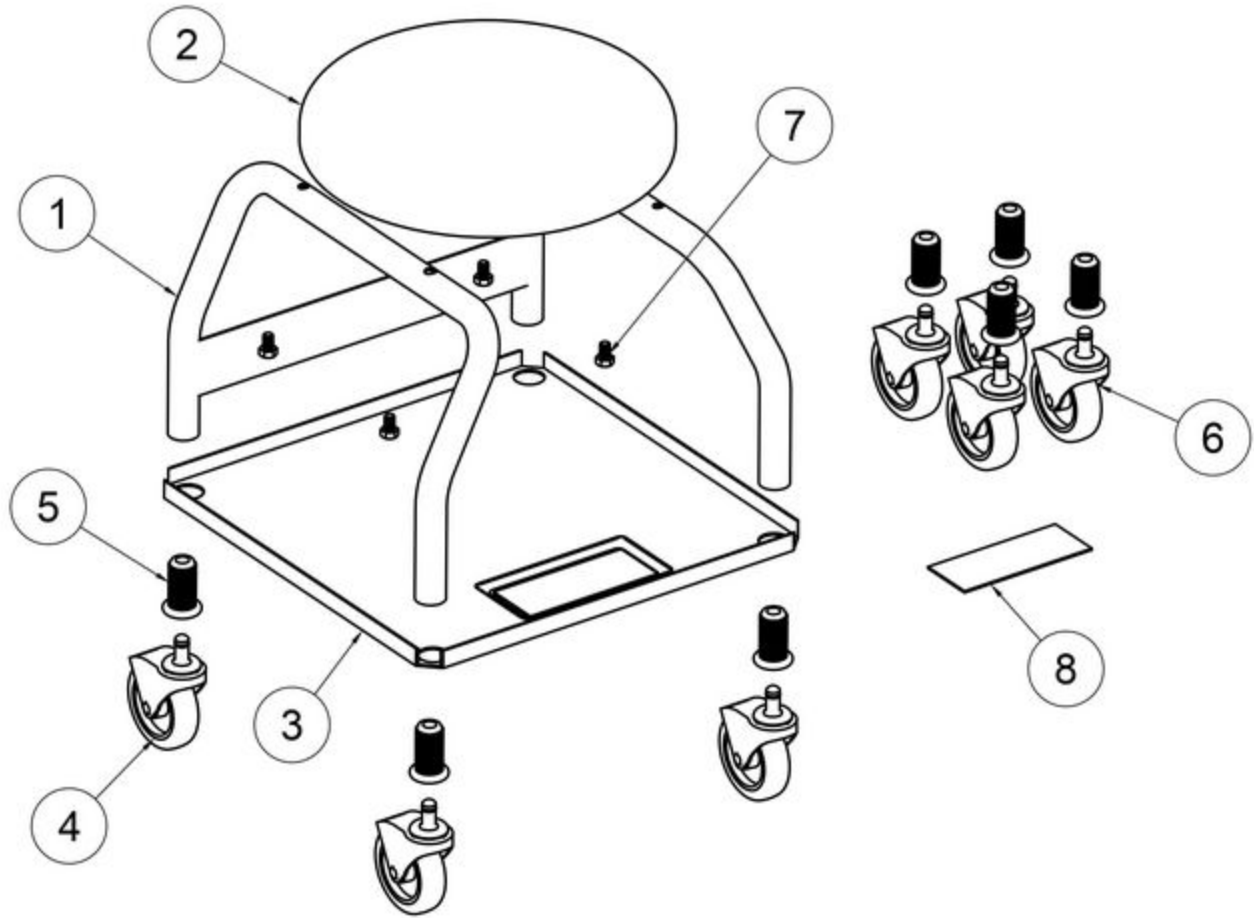


CS4DRS - ROUND PADDED SHOP SEAT



Item: CS4DRS

Description: ROUND PADDED SHOP SEAT

Notes: CS4DRS warranty has been changed from a B warranty to an M warranty to promote part replacement rather than warranting the entire Seat. See the Parts Manual for available replacement parts prior to contacting the supplier or attempting to warranty the entire Seat. Have Proof of Purchase and any pictures showing the issue with the tool available when contacting the Supplier. Should the entire Seat need to be sent for warranty contact the Supplier at 740.363.1179 x222.

Figure No	Part Number	Description	No. Reqd	Warranty Code
1	*BMHRSV-1	FRAME ONLY	1	
2	*BMHRSV-2	ROUND VACUUM FORMED SEAT TOP ONLY	1	
3	BMCS4D-T	TRAY FOR CS4D	1	X
4	CS4DRCA	3" REPLACEMENT CASTER W SOCKET	1	D
5	*BMHRS-SOC	SOCKET ONLY	1	
6	*BMHRS-CSET	SET OF 4 CASTERS WITH SOCKETS	1	
7	*BMHRSV-BOLTS	BOLTS (4 PIECES)	1	
8	*BMHRS-MAG	MAGNET REPLACEMENT	1	