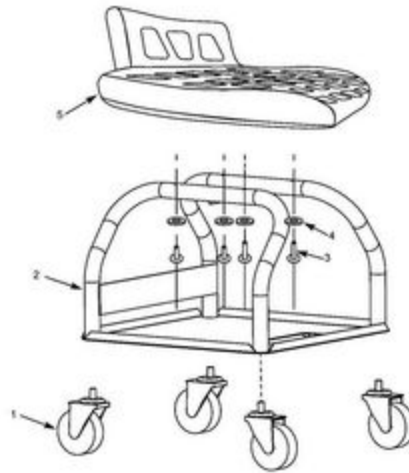


CSHDP - MECHANIC STOOL



KEY NO.	DESCRIPTION	QTY.	PART NO.
1	Caster	4	10342.01
2	Frame	1	11004.00
3	6-1.0 x 45mm Phillips Pan Head Screw	4	11011.00
4	6mm Flat Washer	4	10421.00
5	Seat	1	11002.00

Item: CSHDP

Description: MECHANIC STOOL

Notes: Supplier requires that they be contacted for Replacement Parts before attempting to send the entire unit in for warranty. The warranty on CSHDP is D, 1 year. Supplier requires that they be called before attempting to return. Phone - (630) 785 6428

Figure No	Part Number	Description	No. Reqd	Warranty Code
0	CSHDP	MECHANIC STOOL	1	D
1	N910342-01	NON BRAKING CASTER F/ THD394	4	D
2	*N911004.00	FRAME	1	
3	*N911011.00	6-1.0 X 45MM PHILLIPS PAN HEAD SCREW	4	
4	*N910421.00	6MM FLAT WASHER	4	
5	*N911002.00	SEAT	1	