

## CSS91305 - 2 IN 1 CREEPER SEAT STOOL



### Seat Stool Combo

Model: CSS91305

Capacity: 350 lbs. (Seat), 400 lbs. (Stool)

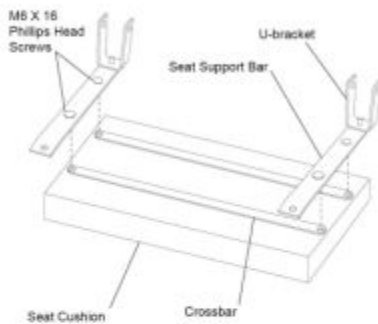


Figure 1 - Attaching Seat

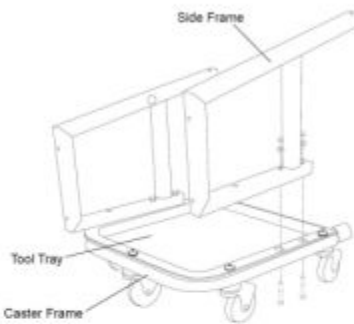


Figure 2 - Assembling tool tray and casters

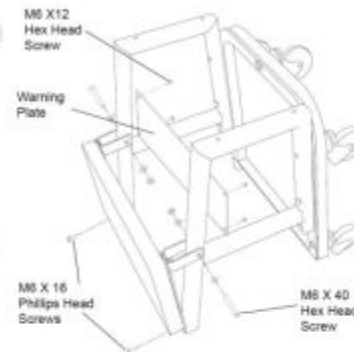


Figure 3 - Attaching Creeper Seat

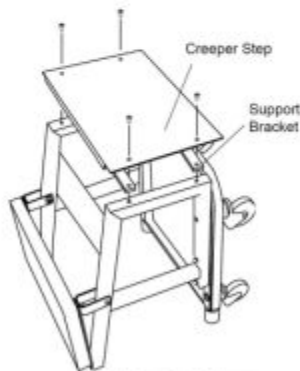


Figure 4 - Attaching Step to Side Frames

#### PREPARATION/ASSEMBLY

Before assembling your Creeper, make sure all parts are present. If any part is missing or damaged, do not attempt to assemble or use the product. Contact customer service for replacement parts.

Package Contents: 1 Seat Pad Section, 2 U-brackets, 1 Caster Frame Section, 1 Tool Tray, 2 Side Frame Sections, 2 Cross Bars, 2 Seat Support Bars, 5 Casters & binding barrels, & assorted hardware kit below.

Qty	Description	Qty	Description
2	M6 Lock Nut	4	M6 X 12 Hex Head Bolt
4	M6 Washer	6	M6 X 16 Phillips Head Screw
4	M6 Acorn Nut	4	M6 X 20 Phillips Head Screw
4	M6 Washer	2	M6 X 40 Phillips Head Screw
		4	M6 X 60 Hex Head Bolt

1. With the Seat Cushion facing down, align the holes of the Cross-bars with the seat. Then align the holes of the Seat Supports Bars and attach with four M6 x 16 Phillips Head Screws.
2. Attach two creeper Side Frames to Caster Frame with two M6 x 60 Hex Head Bolts, two washers and two acorn nuts each (Fig 2).
3. Attach creeper Seat Cushion to creeper Side Frames using two M6 x 40 Phillips Head Screws, with washers, and nuts, and two M6

4. Fasten Creeper Step to Side Frames using four M6 x 20 Phillips Head Screws (Fig 4), ensure that the Support Brackets are installed between the Creeper Step and Side Frames.

Item	Part No.	Description	Qty
1	CSS91305-1	Caster Assy	5
2	CSS91305-2	Seat Cushion	1
3	CSS91305-3	Hardware Kit	1



#### REPLACEMENT PARTS

Not all components of the creeper are replacement items, but are illustrated as a convenient reference of location and position in the assembly sequence. When ordering parts, give Model number, serial number and description below. Call or write for current pricing.  
 Matco Tools 4403 Allen Road, Stow, OH 44224-1096, U.S.A.  
 Tel: (866)BUY-TOOL Matco Tools Website: <http://www.matcotools.com>



Item: CSS91305

Description: 2 IN 1 CREEPER SEAT STOOL

**Notes:** The three Square rubber feet are not available for sale as a replacement part for this item.

Figure No	Part Number	Description	No. Reqd	Warranty Code
1	Q3CRS350-1	CASTER F/CSS91305	1	B
2	Q3CSS91305-2	SEAT CUSHION F/CSS91305	1	X
3	Q391305-3	HARDWARE KIT FOR CSS91305	1	D
4	Q3CRS350-5	ADJUSTABLE LEG F/CSS91305	1	X