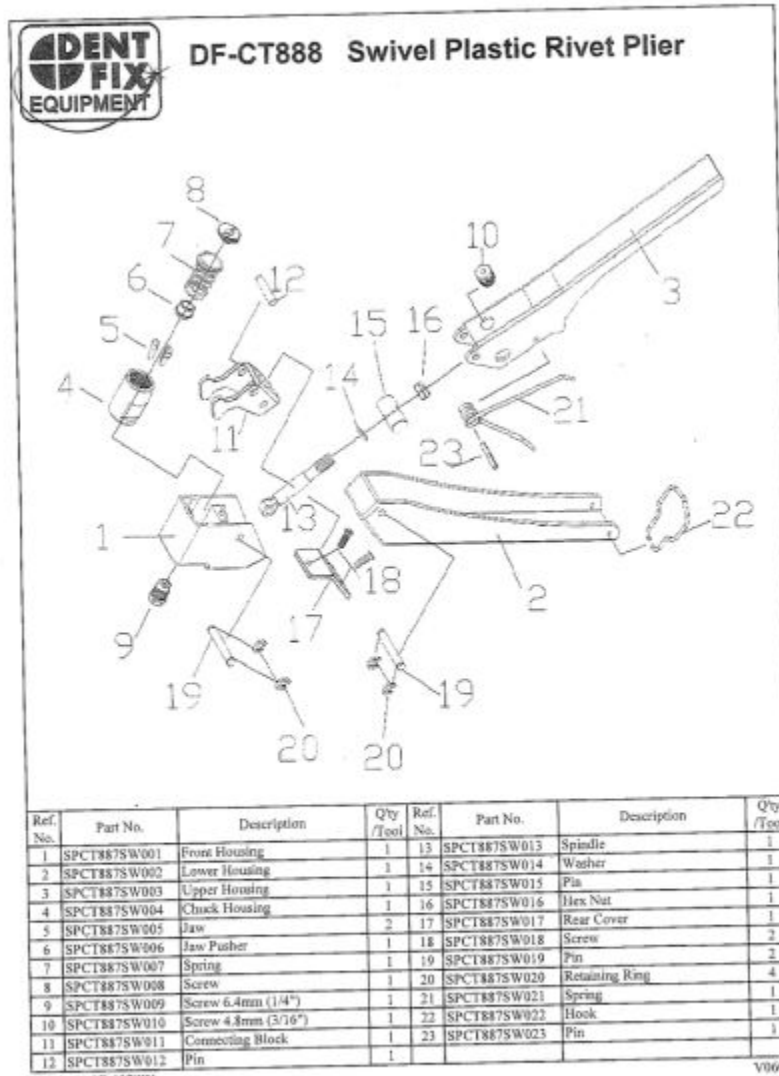


DF-CT888 - SWIVEL SLIMLINE PLASTIC RIVETE



File No. :CT-887SW

V06661



1611 West 135th Street,  
Gardena, CA 90249, U.S.A.  
WWW.DENTFIX.COM

Item: DF-CT888

Description: SWIVEL SLIMLINE PLASTIC RIVETE

Notes: N/A

Figure No	Part Number	Description	No. Reqd	Warranty Code
-----------	-------------	-------------	----------	---------------