

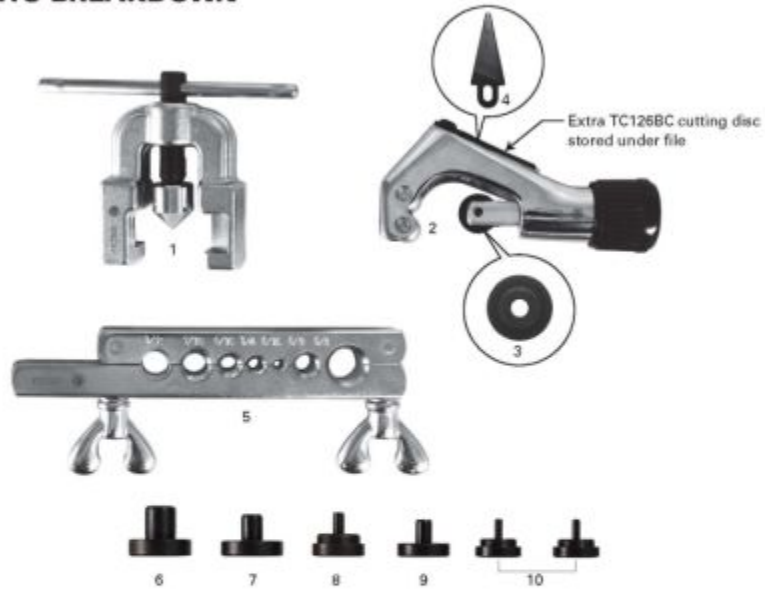
DFS260B - DOUBLE FLARE TOOL SET



DOUBLE FLARE TOOL SET

DFS260B

PARTS BREAKDOWN



Item: DFS260B

Description: DOUBLE FLARE TOOL SET

Notes: Extra TC126BC Tube Cutting Disc is stored under the TC126BF File on the Tubing Cutter tool. Set comes with this spare piece, only 1pc is needed. Extra DFS260B-05 3/16"Adapter is also included, only 1 required.

Figure No	Part Number	Description	No. Reqd	Warranty Code
1	H1FT23OZ	DOUBLE FLARE YOKE F/DFS260B	1	D
2	H1TC126B	TUBING CUTTER F/DFS260B	1	D
3	H1TC126BC	CUTTING DISC F/TUBE CUTTER	1	T
4	H1TC126BF	DEBURRING FILE FOR TUBE CUTTER	1	T
5	H1FT230D	DOUBLE FLARE BAR F/DFS260B	1	D
6	H1DFS260BA12	1/2 DOUBLE FLARING ADAPTER	1	D
7	H1DFS260BA38	3/8 DOUBLE FLARING ADAPTER	1	D
8	H1DFS260BA51	5/16 DOUBLE FLARING ADAPTER	1	D
9	H1DFS260BA14	1/4 DOUBLE FLARING ADAPTER	1	D
10	H1DFS260BA31	3/16 DOUBLE FLARING ADAPTER	1	D