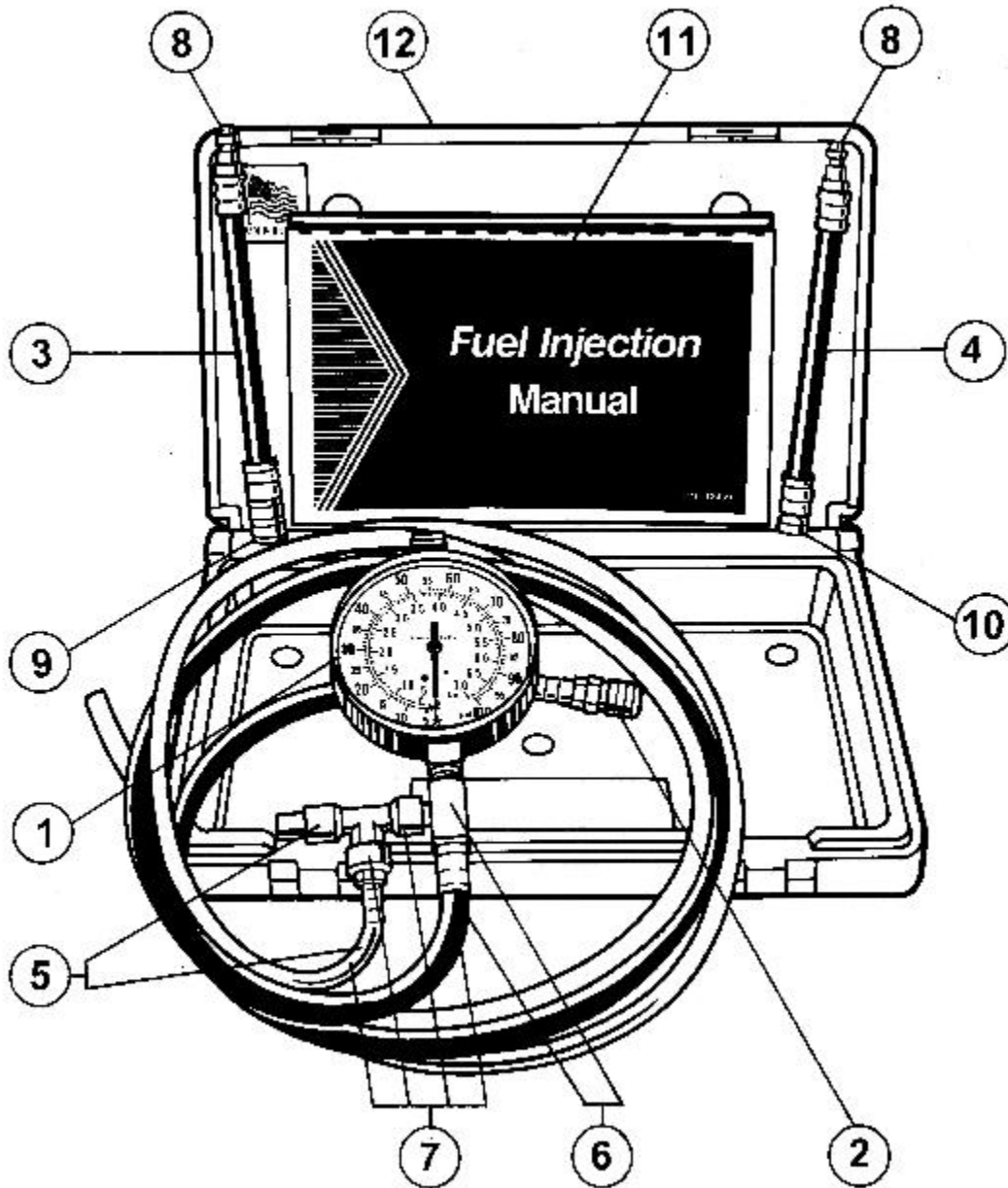


FIT469 - FUEL INJECTION PRESSURE TESTER



Item: FIT469

Description: FUEL INJECTION PRESSURE TESTER

Notes: VENDOR - HOFFMAN [STAR PRODUCTS] 71319 ADAPTER F/SM SCHRADER VALVE IS THE FORD ADAPTER

Figure No	Part Number	Description	No. Reqd	Warranty Code
0	71307	DEPRESSOR & GASKET	1	X
0	BD41753	5 PK VALVE CORE	1	X
1	VG1-H	LENS	1	D
1	BD21003	3-1/2 IN 100LB GAUGE	1	D
2	BD41303	COUPLER	1	D
3	71318	ADAPTER F/STD SCHRADER VALVE	1	D
4	71319	ADAPTER F/SM SCHRADER VALVE (1	D
5	74446	RELIEF VALVE & TUBING ASSEMBL	1	X
6	74447	4' HOSE W/QC FITTING	1	D
6	BD19703	T FOR 74446	1	D
7	74438	3-1/2 IN GAUGE ASSY W/VALVE	1	D
8	41753	VALVE CORE F/ FUEL INJ (3 PK)	1	X
9	41028W	SCHRADER WASHER (5PK)	1	X
10	41853W	WASHER F/SCHRADER VALVE (5PK)	1	X
11	BD42440	FIT443 INST MANUAL	1	D
12	BD52010	BOX F/CLT2PB	1	D