



# OWNER'S MANUAL

Model No.  
**FS395**

Save This Manual For Future Reference

## ADJUSTABLE FOLDING STOOL

### DESCRIPTION

Adjustable Folding Stool seat height is adjustable from 17½ to 27½". Seat is 16" wide and 10" deep. Back is 14" wide and 8½" high. Seat provides comfort, strength and easy maintenance. Seat and back is upholstered vinyl fabric over foam. Frame is 1" diameter steel tube and foldable for easy storage. Stool has 300 pound seating capacity.

### GENERAL SAFETY INSTRUCTIONS

- Do not stand on seat.
- Stool must be on level surface to ensure proper stability.
- Only use stool when fully assembled.
- Periodically check fasteners and tighten securely if needed.
- Never use stool if it does not perform according to this manual.
- Warranty may be void if chair is used while damaged. Immediately call and report any problems (see How to Order Repair Parts).

### HOW TO ORDER REPAIR PARTS

When ordering repair parts or reporting problems, always give the following information:

<b>NAME OF ITEM</b>	<b>MODEL NUMBER</b>
Adjustable Folding Stool	FS395
<b>PART DESCRIPTION</b>	<b>PART NUMBER</b>

All parts listed may be ordered from Matco Tools® Customer Service at 1-866-289-8665.

### INDUSTRIAL SEATING LIMITED WARRANTY

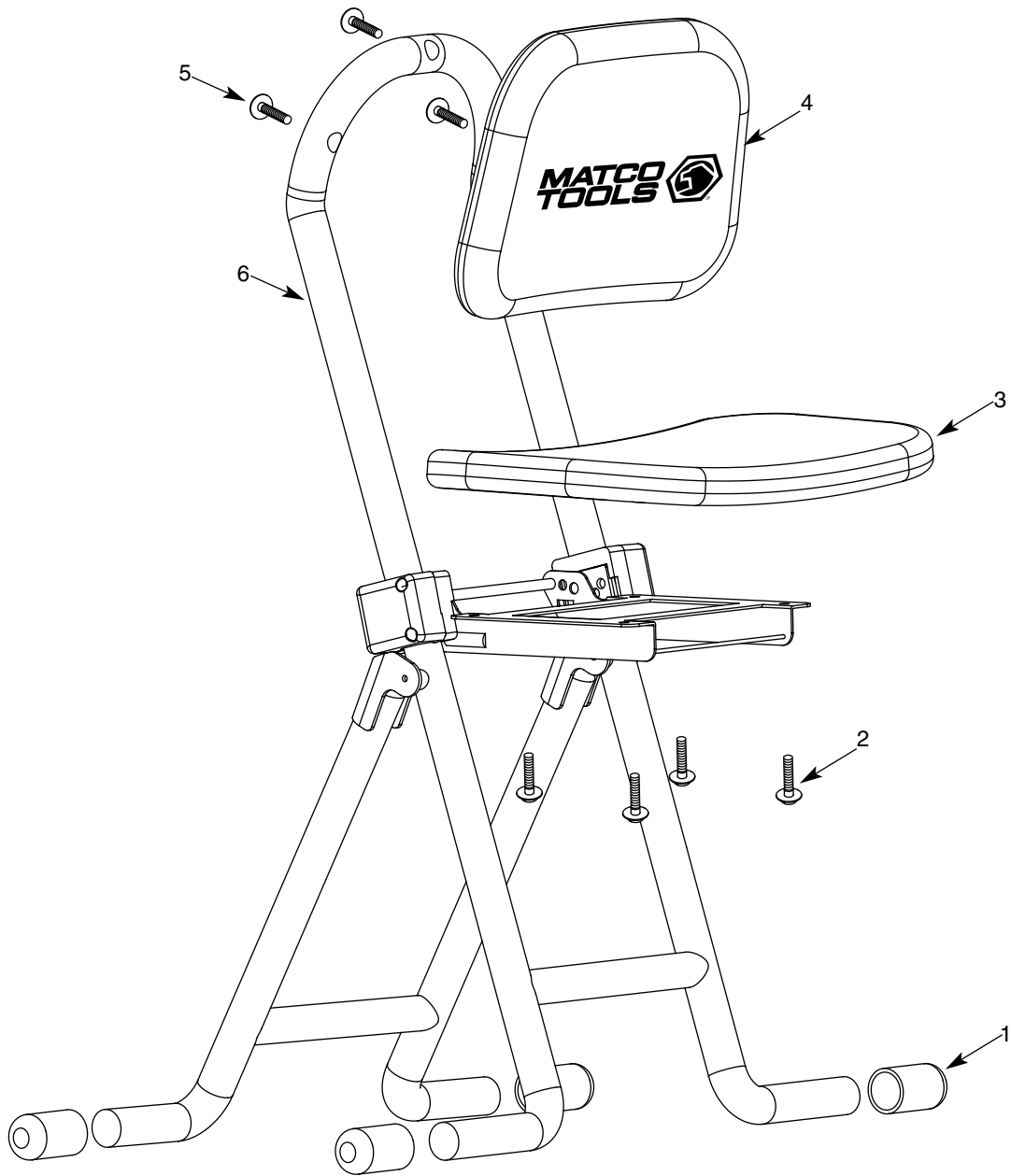
Product is warranted against mechanical or structural failure due to defective material or workmanship for 1 year. Provided however, this warranty lasts only so long as you own your product. If you sell or otherwise transfer the product this warranty terminates automatically. Products that are damaged or made unserviceable by accidents, abuse, misuse or are altered in anyway are not covered by this warranty.

Matco Tools reserves the right to replace or recondition at its option, any units covered by this warranty. All return shipments require Material Return Authorization and must be freight prepaid unless otherwise approved in writing.

If any product covered under this warranty fails to meet the terms of this warranty or it is in any respect broken, defective or missing parts, please call us immediately at toll free 1-866-289-8665. Any attempts to make unauthorized repairs will void this warranty in every respect.

This warranty gives you specific legal rights. You may have other rights which vary from state to state, however such implied rights are limited to a period of one year from the date of your initial purchase. Some states do not allow limitations on how long an implied warranty lasts, so the above limitation may not apply to you.

Matco Tools will in no event be liable for incidental or consequential damages for any amount in excess of the original purchase price. Some states do not allow exclusion or limitation of such damages, so the above limitation or exclusion may not apply to you.



## PARTS LIST

KEY NO.	DESCRIPTION	QTY	PART NO.
1	Cap	4	10408.00
2	1/4"-20 x 3/4" Phillips Pan Washer Head Screw	4	10409.00
3	Seat	1	10410.00
4	Back	1	10411.05
5	1/4"-20 x 1 1/2" Phillips Pan Washer Head Screw	3	10412.00
6	Frame (not available as a repair part)	1	N/A