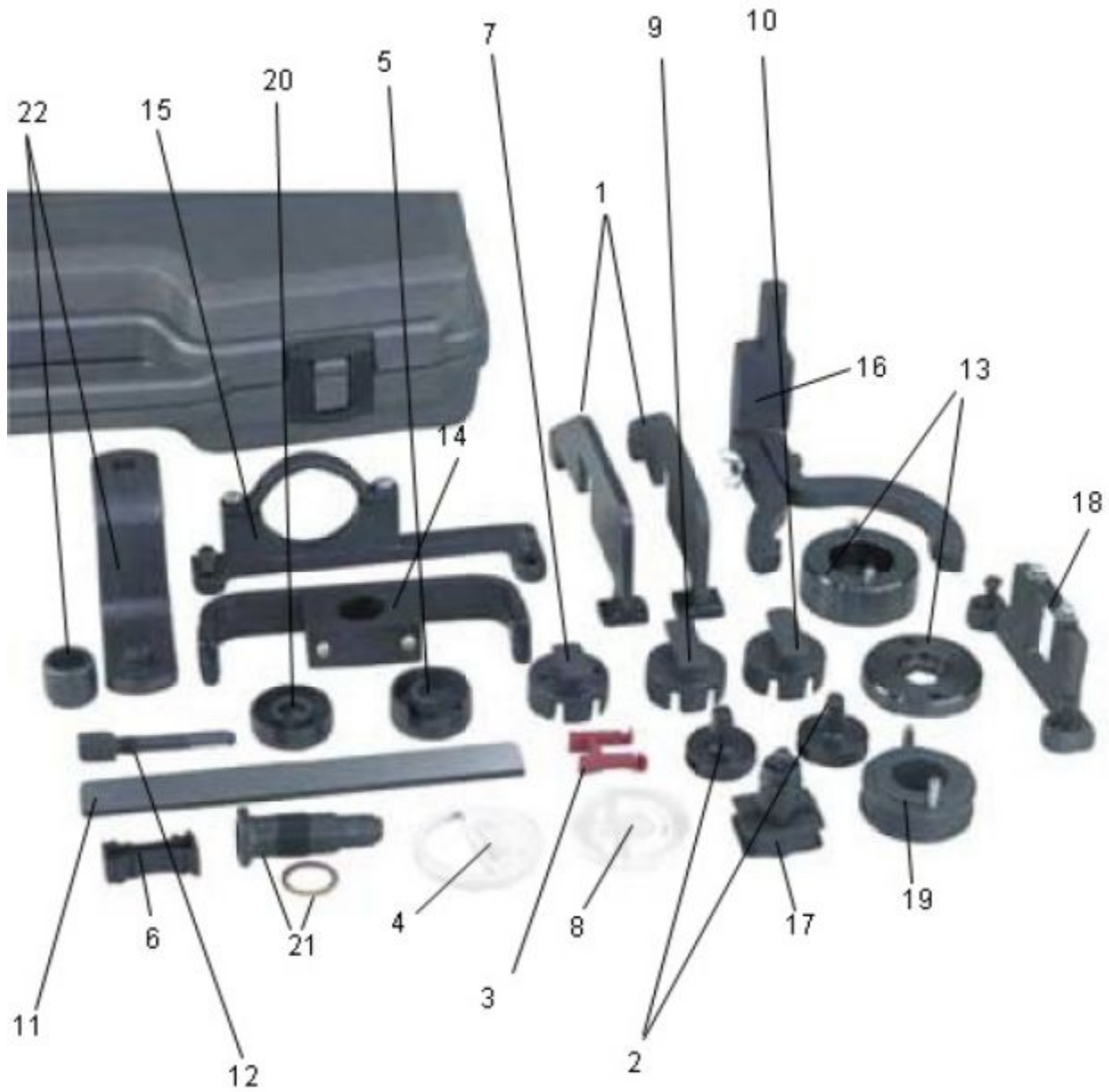




FTM6489 - FORD MASTER CAM TOOL SET



Item: FTM6489

Description: FORD MASTER CAM TOOL SET

Notes: FOR EXACT APPLICATION - REFER TO CATALOG

Figure No	Part Number	Description	No. Reqd	Warranty Code
0	FU512813	CASE F/FTM6489	1	B
1	FT6009	FORD 91 V8,V10 CAM POSI TOOL	1	K
2	FT6020	FORD 92-98 V6,8,10 CAM TOOL	1	K
3	FT6466	FORD 89-97 CRNKSHT SENSOR SYN	1	K
4	FT6467	FORD 90-95 CAMSHT SENSOR SYN	1	K
5	FT6469	FORD 96-01 CAMSHT SENSOR SYN	1	K
6	FT6468	FORD 93-97 CAMSHT PULLEY TL	1	K
7	FT6470	FORD 99-02 CAMSHT SENSOR SYN	1	K
8	FT6471	FORD 93-95 CAMSHT SENSOR SYN	1	K
9	FT6472	FORD 95-98 CAMSHT SENSOR SYN	1	K
10	FT6473	FORD 98-02 CAMSHT SENSOR SYN	1	K
11	FT6474	FORD 94-02 DOHC CAMSHT TOOL	1	K
12	FT6475	FORD 99-02 DOHC CRNSHT PIN	1	K
13	FT6476	FORD 97-02 CAM PSTNING TOOL ST	1	K
14	FT6477	FORD 97-02 CAMSHAFT HLDNG TOOL	1	K
15	FT6478	FORD 97-02 CAMSHT GEA HLDN TL	1	K
16	FT6479	FORD 97-02 CRNKSHT HLDN TL	1	K
17	FT6480	FORD 97-02 CAM HLDN TL ADPT	1	K
18	FT6481	FORD 97-02 CAM HLDN T00L	1	K
19	FT6482	FORD 97-02 CAM GEAR HLDN TL AD	1	K
20	FT6483	FORD 99-02 CAMSHT SENSOR SYN	1	K
21	FT6484	FORD 97-02 TMNG CHN TENS TOOL	1	K
22	FT6485	FORD 97-02 CAM BLT SCK & EXT	1	K