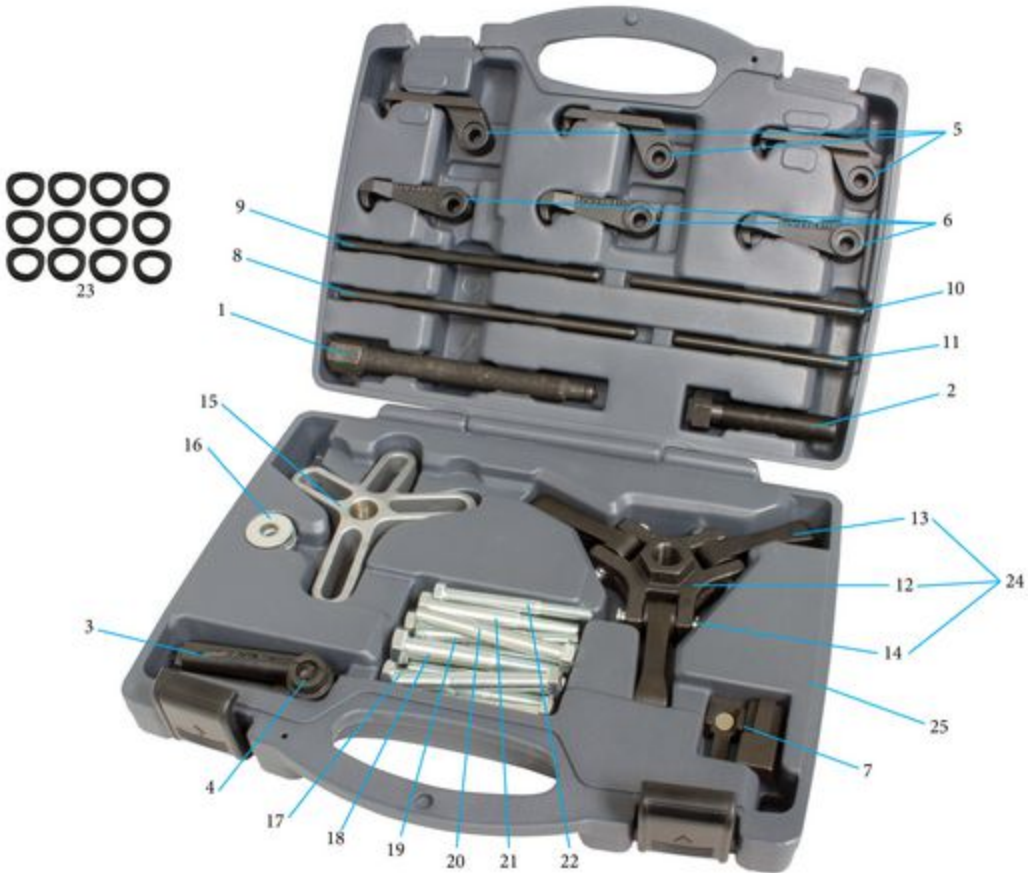


HB54810 - MASTER HARMONIC BALANCER KIT



Item: HB54810

Description: MASTER HARMONIC BALANCER KIT

Notes: HB54810 was a K warranty but has been changed to an M warranty to encourage part replacement rather than sending the entire tool for warranty. If the entire tool needs to be replaced contact the Supplier at Ph: (712) 542-1938

Figure No	Part Number	Description	No. Reqd	Warranty Code
1	HW46550	FORCING SCREW F/ HB54810	1	K
2	HW49590	DRIVE SCREW F/HDP49500	1	K
3	HW45320	ADAPTER	1	K
4	HW46530	POINTED FORCING SCREW TIP F/ H	1	A
5	HW54870	HBP JAW SET FOR HEMI	1	K
6	HW54860	HBP CAMARO JAW SET	1	K
7	HW51670	MAGNET AND HOUSING ASSEMBLY	3	K
8	HW49630	LONGEST ROD F/HDP49500	1	K
9	HW51680	6 1/2" ROD F/HDP514	1	K
10	HW49550	MED ROD F/HDP49500	1	K
11	HW49560	ROD F/HDP49500	1	K
12	HW49540	FRAME F/HB496	1	K
13	HW51640	JAWS F/HDP514	1	K
14	HW49520	GROOVE PINS F/HDP49500	1	K
15	HW45510	BODY FOR 45300	1	K
16	HW45600	WASHER	1	K
17	HW45310	REPLACEMENT BOLT	1	K
18	HW45620	10MMX1.5X75MM BOLT F/HB49	1	K
19	HW45590	3/8" X 16 X 3" BOLT	1	K
20	HW45640	3/8 X 24 X 3" BOLT	1	K
21	HW45540	8MMX1.25X80 MM BOLTS F/HB496	1	K
22	HW45610	5/16" BOLTS F/ HB496	1	K
23	HW54890	12PC CRESCENT SHAPE WASHER KIT	1	L
24	HW51460	YOKE W/JAWS	1	K
25	HW54790	CASE F/HB54810	1	X