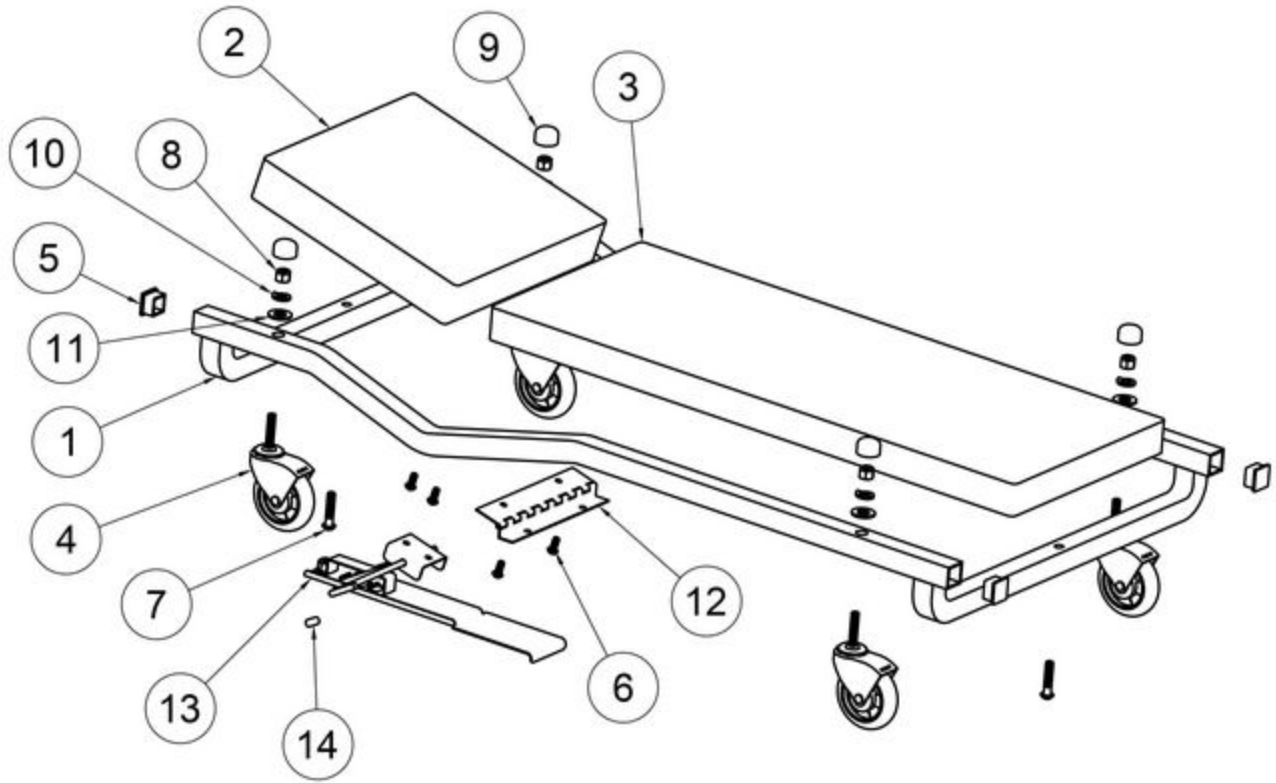


HDADJC40 - HD ADJ CREEPER 40"



Item: HDADJC40

Description: HD ADJ CREEPER 40"

Notes: HDADJC40 warranty has been changed from a B warranty to an M warranty to promote part replacement rather than warranting the entire Creeper. See the Parts Manual for available replacement parts prior to contacting the supplier or attempting to warranty the entire Creeper. Have Proof of Purchase and any pictures showing the issue with the Creeper available when contacting the Supplier. Should the entire Creeper need to be sent for warranty contact the Supplier at 740.363.1179 x222.

| Figure No | Part Number | Description | No. Reqd | Warranty Code |
|-----------|---------------------|---|----------|---------------|
| 1 | BMONLO-1 | FRAME ONLY F /BMONLO EXTRA W | 1 | B |
| 2 | *BMMTLVMONMT-GRAY | TOP PAD-HEAD PAD REPLACEMENT-GRAY | 1 | |
| 3 | *BMMTLVMONMT-BPGRAY | BODY PAD REPLACEMENT-GRAY | 1 | |
| 4 | *BMMTLVMONMT-MT | 4" MONO TECH CASTER REPLACEMENT FOR HDC40 SERIES | 1 | |
| 5 | BMONLO-7 | END CAPS F/BMONLO 4PC | 1 | B |
| 6 | *BMMTLMONADJ-TPB | BOLTS TO ATTACH TOP PAD-4 PIECES | 1 | |
| 7 | *BMMTLMONADJ-BPB | BOLTS TO ATTACH BOTTOM PAD | 1 | |
| 8 | *BMMTLMONADJ-5 | LOCK NUT FOR CASTERS-4 PIECES | 1 | |
| 9 | *BMMTLMONADJ=NC | LOCK NUT COVERS 4 PIECES | 1 | |
| 10 | *BMMTLMONADJ-8 | LOCK WASHERS 4 PIECES | 1 | |
| 11 | *BMMTLMONADJ-9 | WASHERS FOR CASTERS-4 PIECES | 1 | |
| 12 | *BMMTLMONADJ-PH | PIANO HINGE TO JOIN TOP AND BOTTOM PAD | 1 | |
| 13 | *BMMTLMONADJ-HA | HEAD ADJUSTER-LONG BRACKET-SHORT HANDLE WITH HARDWARE | 1 | |
| 14 | *BMMTLMONADJ-VC | VINYL CAP FOR ADJ HANDLE | 1 | |