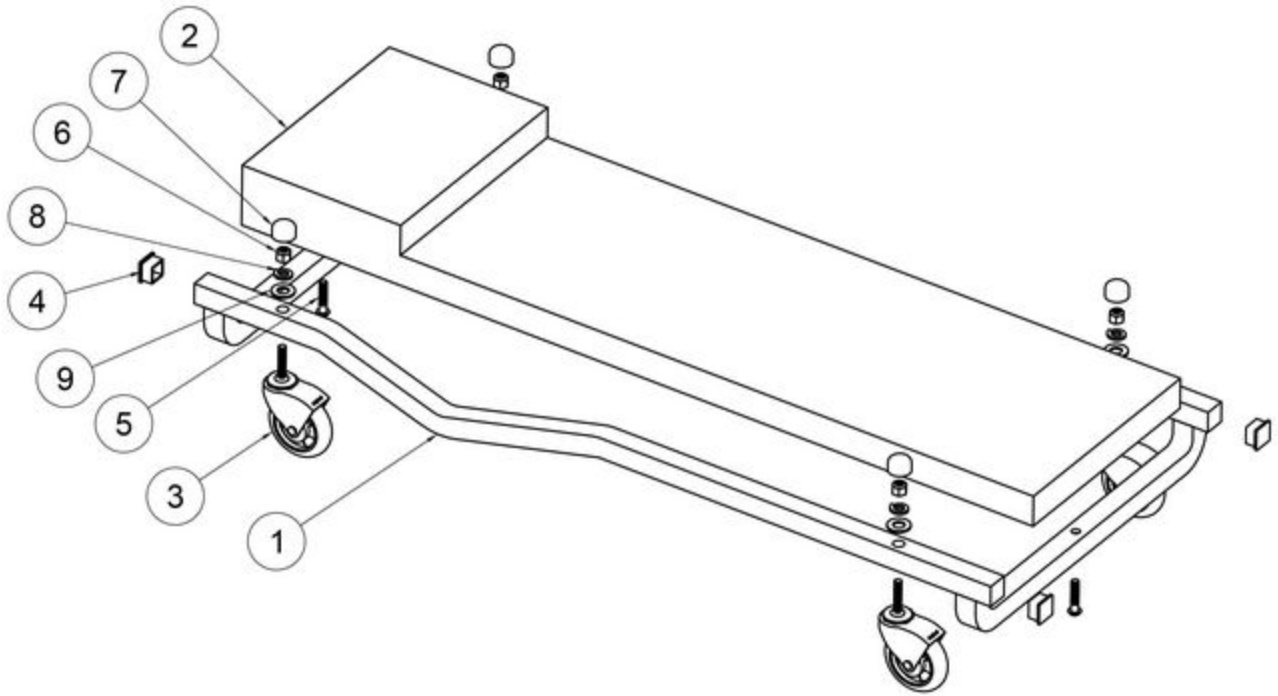


HDC40 - HD CREEPER 40"



Item: HDC40

Description: HD CREEPER 40"

Notes: HDC40 warranty has been changed from a B warranty to an M warranty to promote part replacement rather than warranting the entire Creeper. See the Parts Manual for available replacement parts prior to contacting the supplier or attempting to warranty the entire Creeper. Have Proof of Purchase and any pictures showing the issue with the tool available when contacting the Supplier. Should the entire creeper need to be sent for warranty contact the Supplier at 740.363.1179 x222.

Figure No	Part Number	Description	No. Reqd	Warranty Code
1	BMONLO-1	FRAME ONLY F /BMONLO EXTRA W	1	B
2	*BMMTLVMONMT-GRAY	PAD ONLY-GRAY FOR HDC40 SERIES	1	
3	*BMMTLVMONMT-MT	4" MONO TECH CASTER REPLACEMENT FOR HDC40 SERIES	1	
4	BMONLO-7	END CAPS F/BMONLO 4PC	1	B
5	*BMMTLVMONMT-6	BOLTS TO ATTACH PAD-2 BOLTS	1	
6	*BMMTLVMONMT-7	LOCK NUTS FOR CASTERS-4 PIECES	1	
7	*BMMTLVMONMT-8	LOCK NUT COVERS-4 PIECES	1	
8	*BMMTLVMONMT-9	LOCK WASHER FOR HDC40 SERIES-4 PIECES	1	
9	*BMMTLVMONMT-10	LOCK WASHERS-4 PIECES	1	