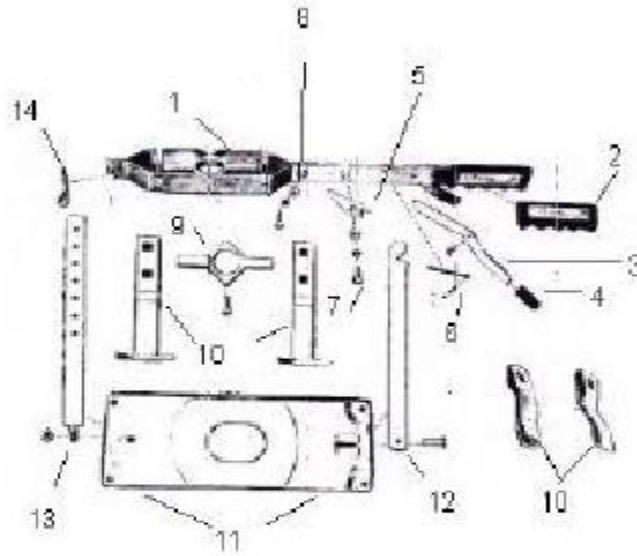




KB20 - SNAPRESS F/AUTO-TRANSMISSION



Item: KB20

Description: SNAPRESS F/AUTO-TRANSMISSION

Notes: N/A

Figure No	Part Number	Description	No. Reqd	Warranty Code
1	NSH20-1	HANDLE F/KB20	1	X
2	NSH20-2	HANDLE F/KB20	1	X
3	NSH20-3	REL. LEVER & RIVET	1	X
4	*NSH20-4	PLASTIC TIP FOR LEVER	1	
5	NSH20-5	LATCH F/KB20	1	X
6	NSH20-6	LATCH SPRING AND PIN F/KB20	1	X
7	NSH20-7	LATCH, BOLT AND SPACER	1	X
8	NSH20-8	HANDLE BOLT & SPACER FOR KB20	1	B
9	NSH20-9	PRESSURE BAR	1	X
10	NSH10-10	ADJ. EXT. SHORT	2	X
10	NSH20-10	PRESSURE BAR-ADJ. EXT.	2	X
10	X4H20-04	PLASTIC TIP FOR RELEASE LEVER	1	D
11	NSH20-11	BASE CASTING F/KB20	1	X
12	NSH20-12	RATCHET UPRIGHT & RIVET	1	X
13	NSH20-13	ADJ. UPRIGHT & LOCKNUT	1	X
14	NSH20-14	UPRIGHT ADJ PIN	1	X