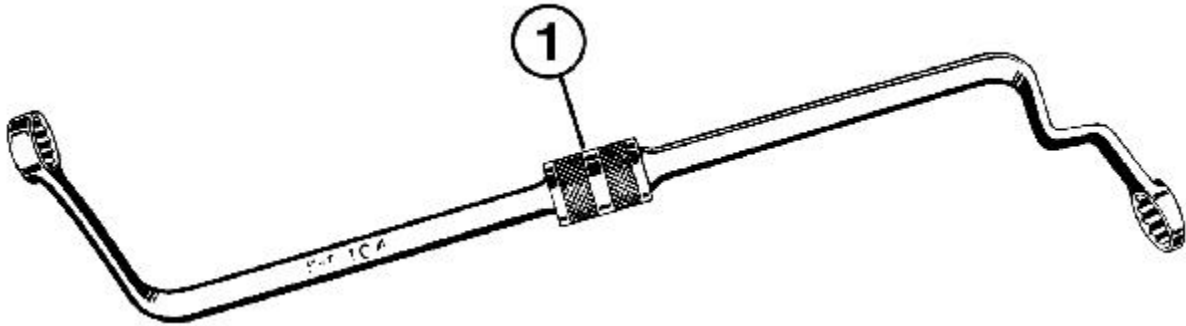


KD104 - DIST CLAMP WRENCH



Item: KD104

Description: DIST CLAMP WRENCH

Notes: N/A

Figure No	Part Number	Description	No. Reqd	Warranty Code
1	FXKD104-73	COUPLER	1	K