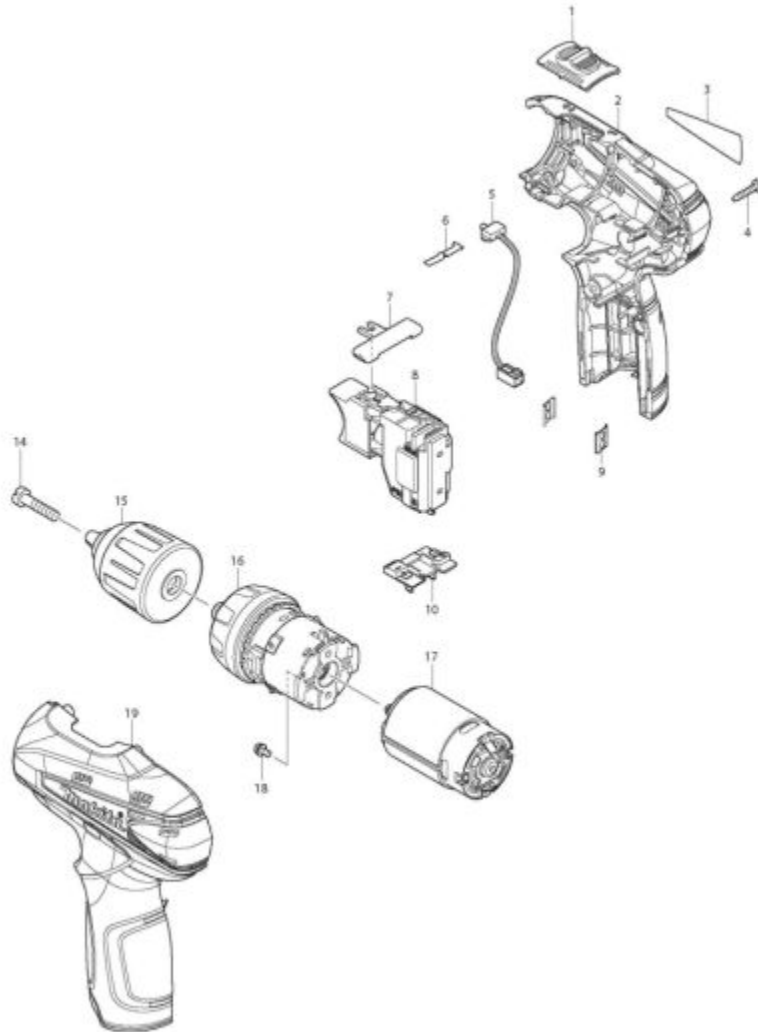


LCT309W - 12V MAX LI ION 3 PC AUTO KIT



Item: LCT309W

Description: 12V MAX LI ION 3 PC AUTO KIT

Notes: N/A

Figure No	Part Number	Description	No. Reqd	Warranty Code
1	B6BL1014	BATTERY F/LCT309W	1	D
2	B6DC10WB	CHARGER F/LCT309W	1	D
3	B6LM01W	LED FLASHLIGHT F/LCT309W	1	D
4	B6WT01W	12V 3/8 IMPACT F/LCT309W	1	F
14	B6251451-2	SCREW	1	X