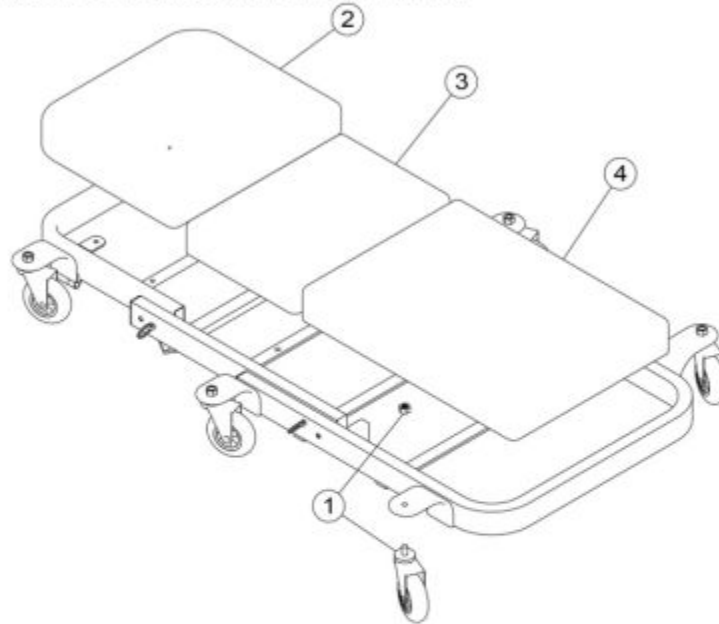


LOWZC450 - 450 LBS LOW PROFILE Z CREEPER



REPLACEMENT PARTS

Not all components of the creeper are replacement items, but are illustrated as a convenient reference of location and position in the assembly sequence. When ordering parts, please give the Model number, part number and parts description. Call or write for current pricing: Matco Tools, 4403 Allen Road, Stow, OH 44224-1096, U.S.A. Tel: (866) BUY-TOOL Matco Tools Website: <http://www.matcotools.com>



REPLACEMENT PARTS LIST

Item	Part No.	Description	Qty
1	91452-1	Caster Assy	6
2	91452-2-MAT	Head Cushion	1
3	91452-3	Middle Cushion	1
4	91452-4	Lower Cushion	1

Matco Tools
4403, Allen Road, Stow, OH 44224-1096, U.S.A.
Tel: (866) BUY-TOOL
Matco Website: <http://www.matcotools.com>

Item: LOWZC450

Description: 450 LBS LOW PROFILE Z CREEPER

Notes: N/A

Figure No	Part Number	Description	No. Reqd	Warranty Code
1	Q391400-1	CASTER F/LOWZC450	1	X
2	Q3914522MAT	HEAD CUSHION	1	B