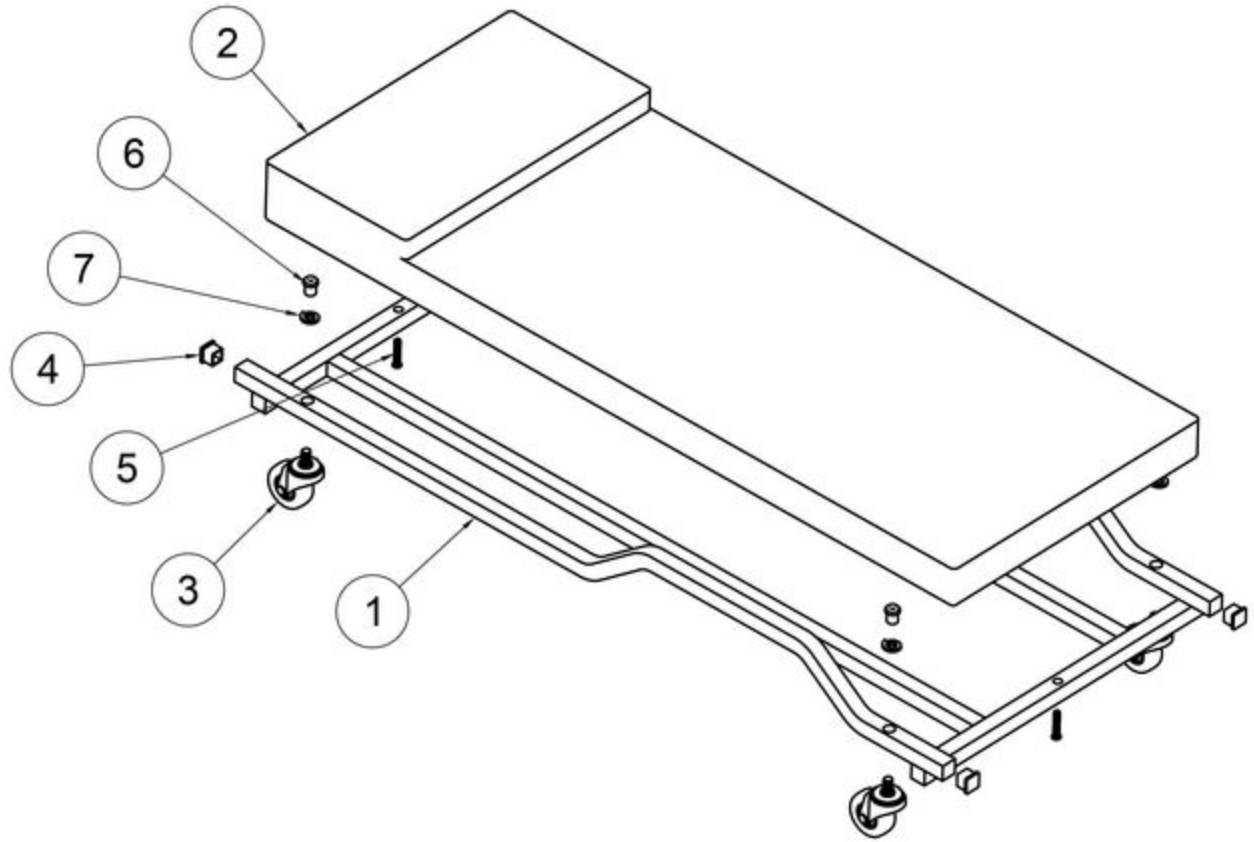


LPC - LOW PROFILE CREEPER



Item: LPC

Description: LOW PROFILE CREEPER

**Notes:** LPC warranty has been changed from a B warranty to an M warranty to promote part replacement rather than the entire Creeper. See the Parts Manual for available replacement parts prior to contacting the supplier or attempting to warranty the entire Creeper. Have Proof of Purchase and any pictures showing the issue with the tool available when contacting the Supplier. Should the entire Creeper need to be sent for warranty contact the Supplier at 740.363.1179 x222.

Figure No	Part Number	Description	No. Reqd	Warranty Code
1	*BMLPC-1	FRAME ONLY	1	
2	*BMLPC-2	REPLACEMENT PAD	1	
3	*BMLPC-4	2" CASTER (SOLD INDIVIDUALLY)	4	
4	*BMLPC-5	END CAPS FOR LPC (4 PIECES)	1	
5	BMMTCV6-6	BOLT(2) KIT F/ PAD ON MTCV6	1	B
6	*BMLPC-7	INSERTS FOR CASTERS (4-PIECES)	1	
7	*BMLPC-8	LOCK WASHER (FOUR PIECES)	1	