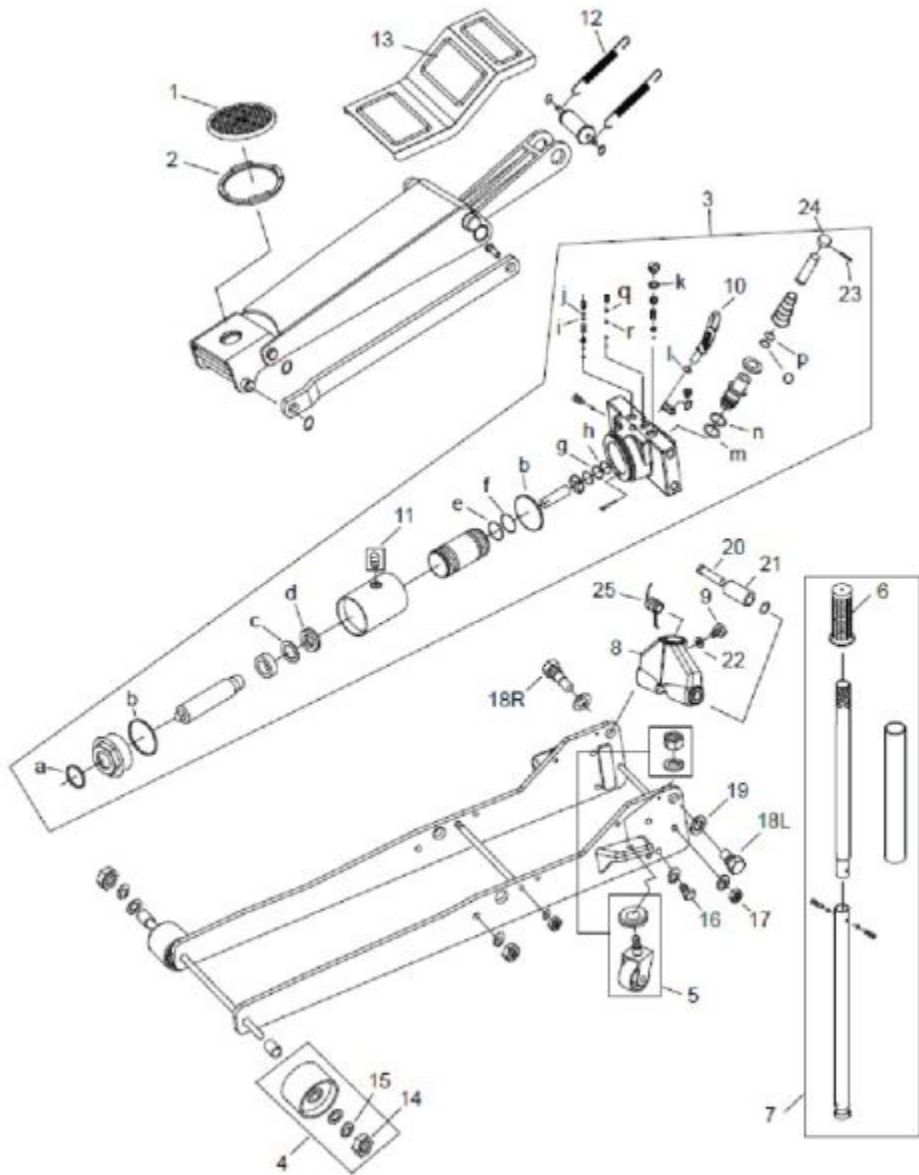


LPSJ2T - 2 TON LOW PRO SERVICE JACK



Item: LPSJ2T

Description: 2 TON LOW PRO SERVICE JACK

Notes: seal kit item q3g863080000 includes items A thru R on the breakdown above

Figure No	Part Number	Description	No. Reqd	Warranty Code
1	Q3G863010001	RUBBER SADDLE PAD F/ LPSJ2T	1	B
2	Q3G863010017	SADDLE F/ MSJ3T	1	B
3	Q3QG86308K02	HYDRAULIC UNIT F/LPSJ2T	1	B
4	Q3QG72500K03	FRONT CASTER F/LPSJ2T	2	D
5	Q3G863010003	REAR CASTER ASSY F/ LPSJ2T	2	B
6	Q3G863010008	HANDLE GRIP F/ LPSJ2T	1	B
7	Q3QG86308K05	HANDLE ASSEMBLY	1	X
8	Q3G863080003	HANDLE SLEEVE F/ LPSJ2T	1	B
9	Q3G489000024	BOLTS F/21030	1	B
10	Q3G863080004	U-JOINT F/ LPSJ2T	1	B
11	Q3G863010014	VENT ASSY F/ MSJ3T	1	B
12	Q3G863010012	RETURN SPRING F/ LIFT ARM	2	B
13	*Q3G86308-0005	COVER	1	
14	*Q3G86301-0023	NUT M16	2	
15	Q3G863010024	SPRING WASHER LPSJ2T	2	B
16	*Q3G88009-0016	BOLT M12	1	
17	*Q3g86301-0032	NUT M12	4	
18	Q3G595090015	BOLT HNDL SLEEVE LT SIDE LPS2T	1	B
18	G3G595090016	BOLT HNDL SLEEVE RT SIDE-LPSJ2	1	X
19	Q3G593050006	LOCK WASHER F/ MSJ3T	2	B
20	Q3G735000011	PIN D12 F/LPSJ2T	1	B
21	Q3G735000012	ROLLER F/LPSJ2T	1	B
22	Q3G593050005	LOCK WASHER F/21030	1	B
23	Q3G694000004	SPRING PIN F/LPSJ2T	1	X
24	Q3G694000003	PUMP PISTON CAP F/LPSJ2T	1	X
25	Q3G735000010	HANDLE RETURN SPRING F/LPSJ2T	1	X
111	Q3G863080000	SEAL KIT FOR LPSJ2T	1	B