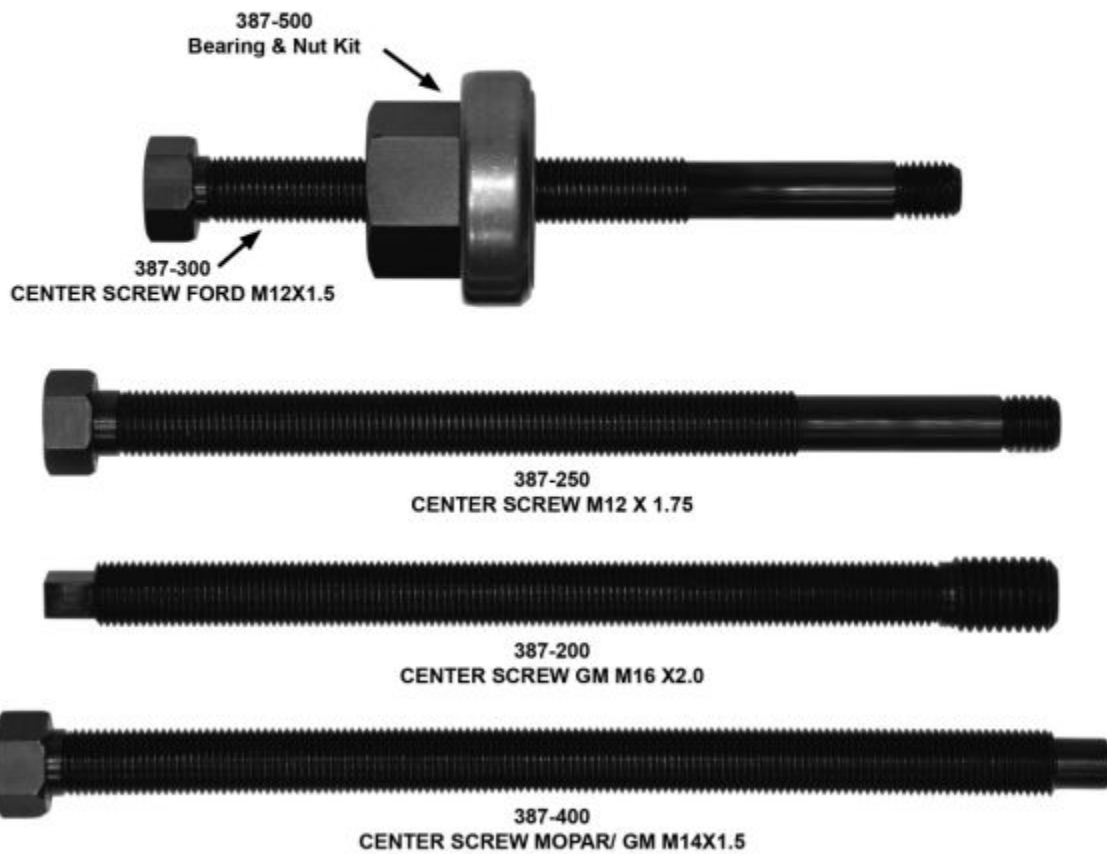


LRHB700 - LONG REACH BALANCER PULLEY INS

38700 - Harmonic Balancer Installer Replacement Parts List



Item: LRHB700

Description: LONG REACH BALANCER PULLEY INS

Notes: N/A

Figure No	Part Number	Description	No. Reqd	Warranty Code
1	K8387-500	BEARING & NUT KIT FOR 38700	1	K
2	K8387-300	CNTR SCRW FORD M12-1.5 F/LRHB7	1	K
3	K8387-250	CNTR SCRW M12-1.75 F/LRHB700	1	K
4	K8387-200	CNTR SCRW GM M16-2.0 F/LRHB700	1	K
5	K7387-400	CENTER SCREW MOPAR/GM M14-1.5	1	K