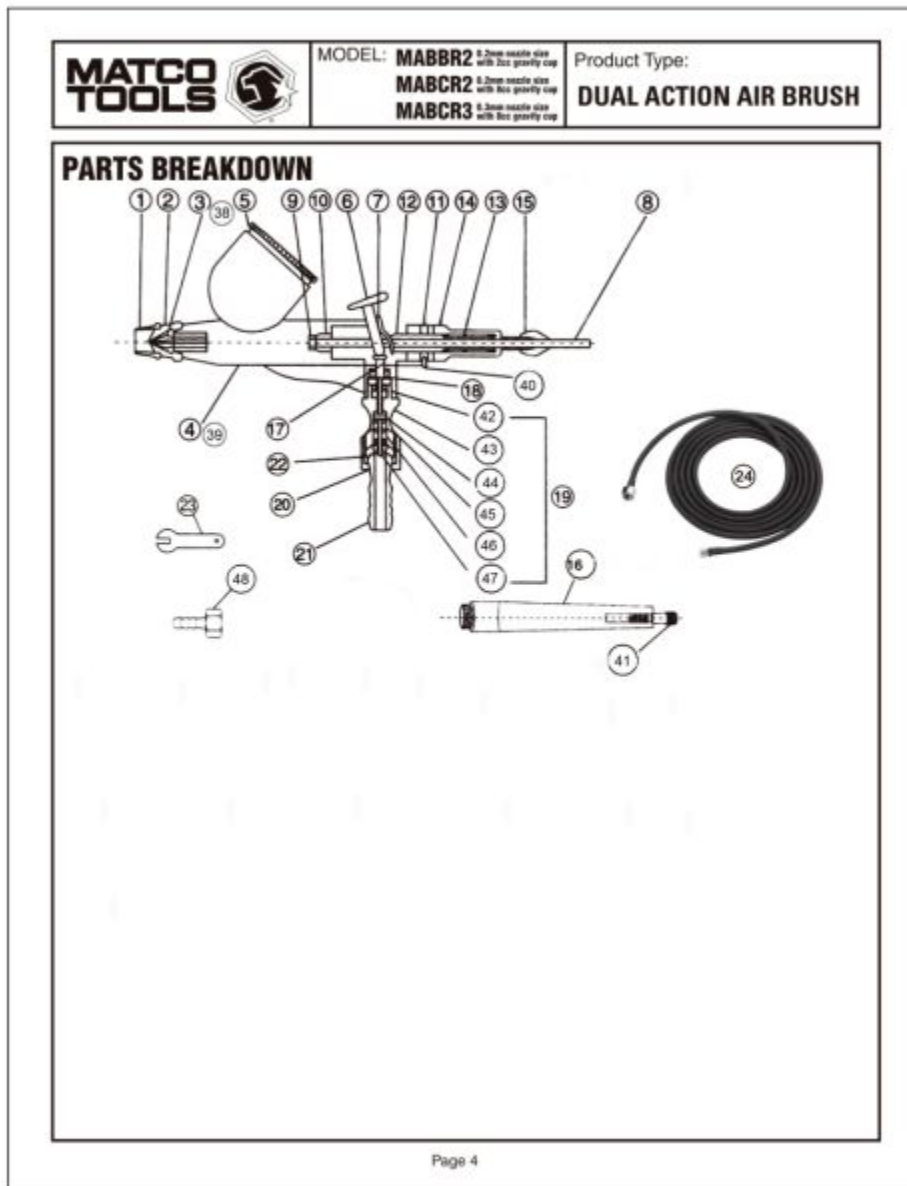


MABCR2 - PROFESSIONAL AIR BRUSH 0.2MM



Item: MABCR2

Description: Professional Air Brush 0.2mm

Notes: \* AVAILABLE ONLY IN NOZZLE ASSEMBLY (MABCR2NA OR MABCR3NA)

Figure No	Part Number	Description	No. Reqd	Warranty Code
1	*H1MABCR-01	NEEDLE VALVE COVER	1	
2	*H1MABCR-02	AIR CAP	1	
3	*H1MABCR-03	0.2MM FLUID NOZZLE	1	
4	*H1MABBR-04	BODY WITH 2CC CUP	1	
5	*H1MABCR-05	LID (LID NOT AVAILABLE FOR MABBR2)	1	
6	*H1MABCR-06	PUSH BUTTON	1	
7	*H1MABCR-07	PUSH BUTTON GUIDE	1	
8	*H1MABCR-08	FLUID NEEDLE	1	
9	*H1MABCR-09	PACKING	1	
10	H1MABCR-10	NEEDLE PACKING SCREW-MABCR2	1	X
11	*H1MABCR-11	GUIDE VALVE	1	
12	*H1MABCR-12	NEEDLE SEAT	1	
13	*H1MABCR-13	NEEDLE SPRING	1	
14	H1MABCR-14	NEEDLE SPRING SEAT F/MABCR2	1	B
15	H1MABCR-15	NEEDLE LOCK SCREW F/MABCR2	1	X
16	H1MABCR-16-1	BODY CAP F/MABBR2	1	B
17	*H1MABCR-17	PISTON	1	
18	H1MABCR-18	O-RING FOR MABCR2	1	X
19	H1MABCR-19	AIR VALVE ASSEMBLY F/ MABCR2	1	X
20	*H1MABCR-20	HOSE NUT 1/8	1	
21	*H1MABCR-21	HOSE JOINT 1/8	1	
22	H1MABCR-22	O RING FOR MABCR2	1	L
23	*H1MABCR-23	SPANNER	1	
24	H1MABCR-24	HOSE F/MABCR3	1	B
36	H1MABCR2NA	0.2MM NOZZLE ASSEMBLY	1	X
38	*H1MABCR-3A	0.3MM FLUID NOZZLE	1	
39	*H1MABCR-4A	BODY WITH 8CC CUP	1	
40	H1MABCR-11-1	LOCK SCREW F/ MABCR2	1	X
41	H1MABCR-161A	FLUID ADJUSTING KNOB F/ MABCR3	1	L
42	*H1MABCR-19A	O-RING	1	
43	*H1MABCR-19B	VALVE SEAT	1	
44	*H1MABCR-19C	O-RING (VALVE)	1	
45	*H1MABCR-19D	VALVE	1	

46	*H1MABCR-19E	SPRING	1	
47	*H1MABCR-19F	LOCK SCREW	1	
48	H1MABCR-21-1	1/4 HOSE JOINT ADAPTER	1	X