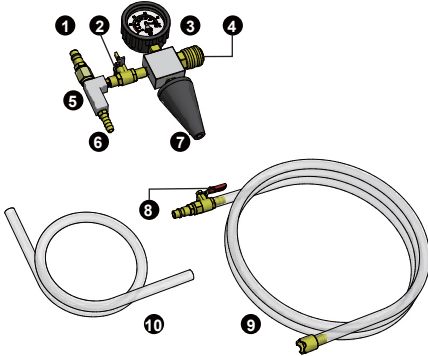


43014 VACUUM-TYPE COOLING SYSTEM FILLER KIT

FEATURES

- Refill new coolant by creating a vacuum in the cooling system
- No need to undergo time-consuming air bleeding after refilling new coolant
- Conical adapter offers a wide application for many different radiator filler necks
- Minimizes the risk of engine overheating

SPECIFICATIONS



1. Shop air connector
2. Air valve
3. Vacuum gauge
4. Coolant hose connector
5. Vacuum pump
6. Drain hose connector
7. Conical adapter
8. Coolant valve
9. Coolant hose
10. Drain hose



CAUTION

- Always read instructions carefully before using the tool
- Ensure the working area has adequate lighting
- Keep children and unauthorized persons away from the working area
- Keep working area clean, dry and free from unrelated materials
- DO NOT allow untrained persons to use this tool kit
- Always wear eye protection that meets OSHA and ANSI Z87.1 standards
- Always wear gloves when working with the tool.

- Always wear ear protection
- Disposal: Customers should follow local regulations to handle used/wasted parts

INSTRUCTIONS

1. Drain the coolant from the radiator.
2. Pre-mix the coolant with enough to fill the radiator.
3. Connect the conical adapter to the radiator filler neck.
4. Connect the shop air to the vacuum pump.
5. Connect the coolant hose to the tool's main body, and put the other end in the container with the pre-mixed coolant.

NOTE: Figure 1 shows how the finished connection looks like.

6. Turn on the air valve to create a vacuum. When the gauge reaches the range between 20 - 24 inHg, turn the air valve off.
7. Turn on the coolant valve to transfer the coolant into the cooling system.
8. Turn the coolant valve off when the gauge reading is 0 inHg.
9. Disconnect the air line.
10. Remove the tool from the cooling system.
11. Clean the tool prior to storage.



Fig. 1

⚠ WARNING: This product can expose you to chemicals including Di (2-ethylhexyl) phthalate, lead and lead compounds, which are known to the State of California to cause cancer and birth defects or other reproductive harm. For more information go to www.P65Warnings.ca.gov