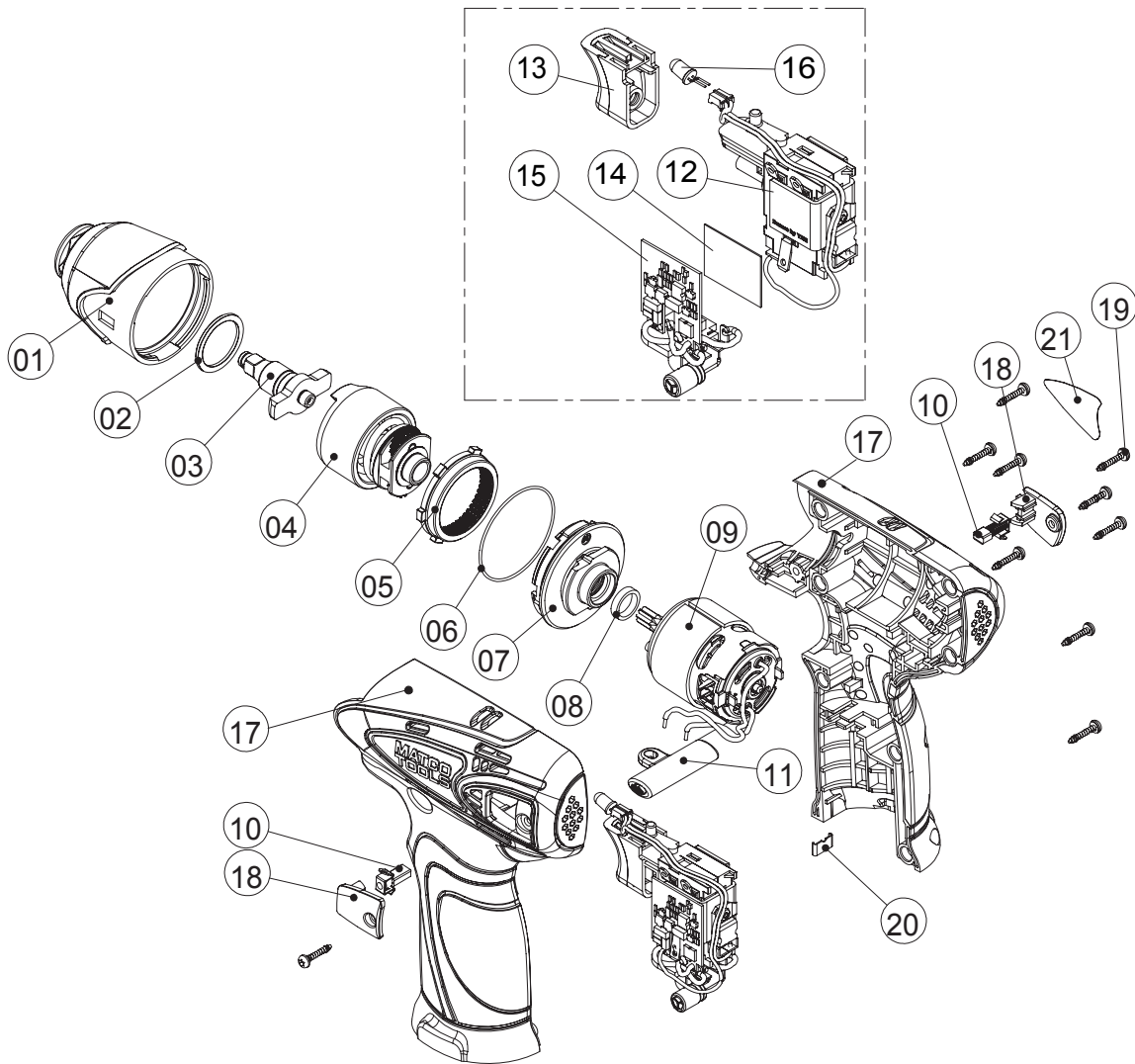


MCL1214IW, -G, -O, -Y 12V 1/4" Impact Wrench



Index #	Part #	Description	Qty.
1	RS108IW01	Front Cover Assembly	1
2	RS108IW02	Washer	1
3	RS108IW03	Front Impact Assembly	1
4	RS108IW04	Rear Impact Assembly (38x1)	1
5	RS108IW05	Ring Gear	1
6	RS108IW06	O-ring	1
7	RS108IW07	Ring Gear Holder	1
8	RS108IW08	Rubber Washer	1
9	RS12IW09	Motor Assembly	1
10	RS108DD08	Carbon Brush Assembly	2
11	RS122ID09	Forward/Reverse Rod	1
12	RS12DD11	Switch	1

Index #	Part #	Description	Qty.
13	RS07513	Trigger	1
14	RS12DD12	Thermal Conductive Pad	1
15	RS12IW15	PCB Assembly	1
16	RS1812DD14	LED	1
17	RS13117	Housing (R&L)	1
	RS13117G	Housing (R&L) - Green	1
	RS13117O	Housing (R&L) -Orange	1
	RS13117Y	Housing (R&L) - Yellow	1
18	RS108IW14	Side Panel	2
19	RS144IW020	Housing Screw (3x14L)	10
20	RS108DD12	Housing Clip	1
21	RS41821	Housing Label -R	1