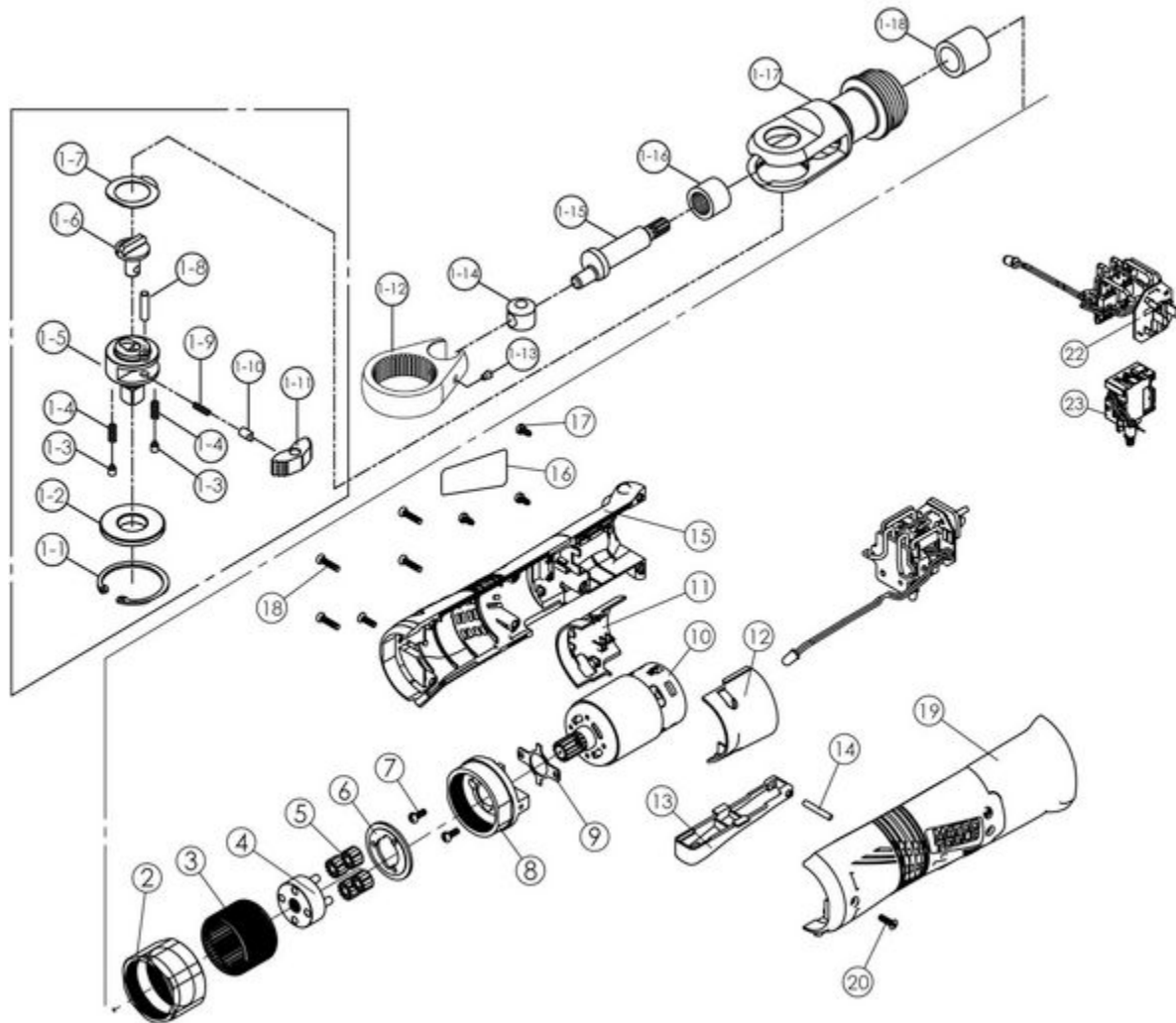


MCL1238RAG - 12V 3/8" RATCHET -GREEN



Item: MCL1238RAG

Description: 12V 3/8" RATCHET -GREEN

Notes: N/S: RSMCL1238RAWL--Product Warning Label (QTY 1)

Figure No	Part Number	Description	No. Reqd	Warranty Code
1	*K7*	1-6 REVERSE BUTTON	1	
1	*K7*	1-11 RATCHET PAWL	1	
1	*K7RS163857	1-17 RATCHET HOUSING	1	
1	*K7RS163854	1-14 DRIVE BUSHING	1	
1	*K7*	1-2 3/8" THRUST WASHER	1	
1	*K7*	1-10 LOCK PIN	1	
1	*K7RS163852	1-12 RATCHET YOKE	1	
1	*K7RS163853	1-13 GREASE FITTING	1	
1	*K7RS163856	1-16 NEEDLE BEARING	1	
1	*K7RS163858	1-18 BUSHING	1	
1	MT2854RHK	RATCHET HEAD KIT FOR MT2854	1	X
1	*K7*	1-1 RETAINER RING	1	
1	*K7*	1-3 PIN	2	
1	*K7RS163855	1-15 CRANK SHAFT	1	
1	*K7*	1-7 WASHER	1	
1	*K7*	1-9 SPRING	1	
1	*K7*	1-5 3/8" ANVIL	1	
1	*K7*	1-4 SPRING	2	
1	*K7*	1-8 PIN	1	
2	*K7RS163801	HEXAGONAL NUT	1	
3	*K7RS163802	RING GEAR	1	
4	*K7RS123803	PLANETARY GEAR BASE	1	
5	*K7RS123804	PLANETARY GEARS [M0.7 X 14T]	4	
6	*K7RS163806	WASHER	1	
7	*K7RS163807	SCREW [M3 X 8L]	2	
8	*K7RS1238R09	MOTOR CONNECTOR	1	
9	*K7RS1238R10	WASHER [25.7 X 26 X 0.8T]	1	
10	*K7RS123805	MOTOR ASS'Y	1	
11	K7RS12R19	INSULATION R	1	X
12	K7RS12R18	INSULATION L	1	X
13	K7RS12R15	TRIGGER F/MUC12R	1	X
14	K7RS163823	PIN F/ MCL1238R	1	X
15	K7RS1238R20	RIGHT HOUSING ASSMEBLY F/ MUC1	1	X

16	*K7RS123807	HOUSING LABEL-R	1	
17	K7RS108R18	SCREW (TP3X12L) F/ MUC108R	3	X
18	K7RS108R20	SCREW (M3X10L) F/ MUC108R	4	X
19	K7RS1238R17	HOUSING LEFT ASSEMBLY	1	X
20	K7RS108R19	SCREW F/MUC108R	2	X
22	*K7RS123809	DISCHARGE PROTECTOR ASS'Y WITH LED	1	
23	K7RS12R09	MUC12R MAIN SWITCH	1	X