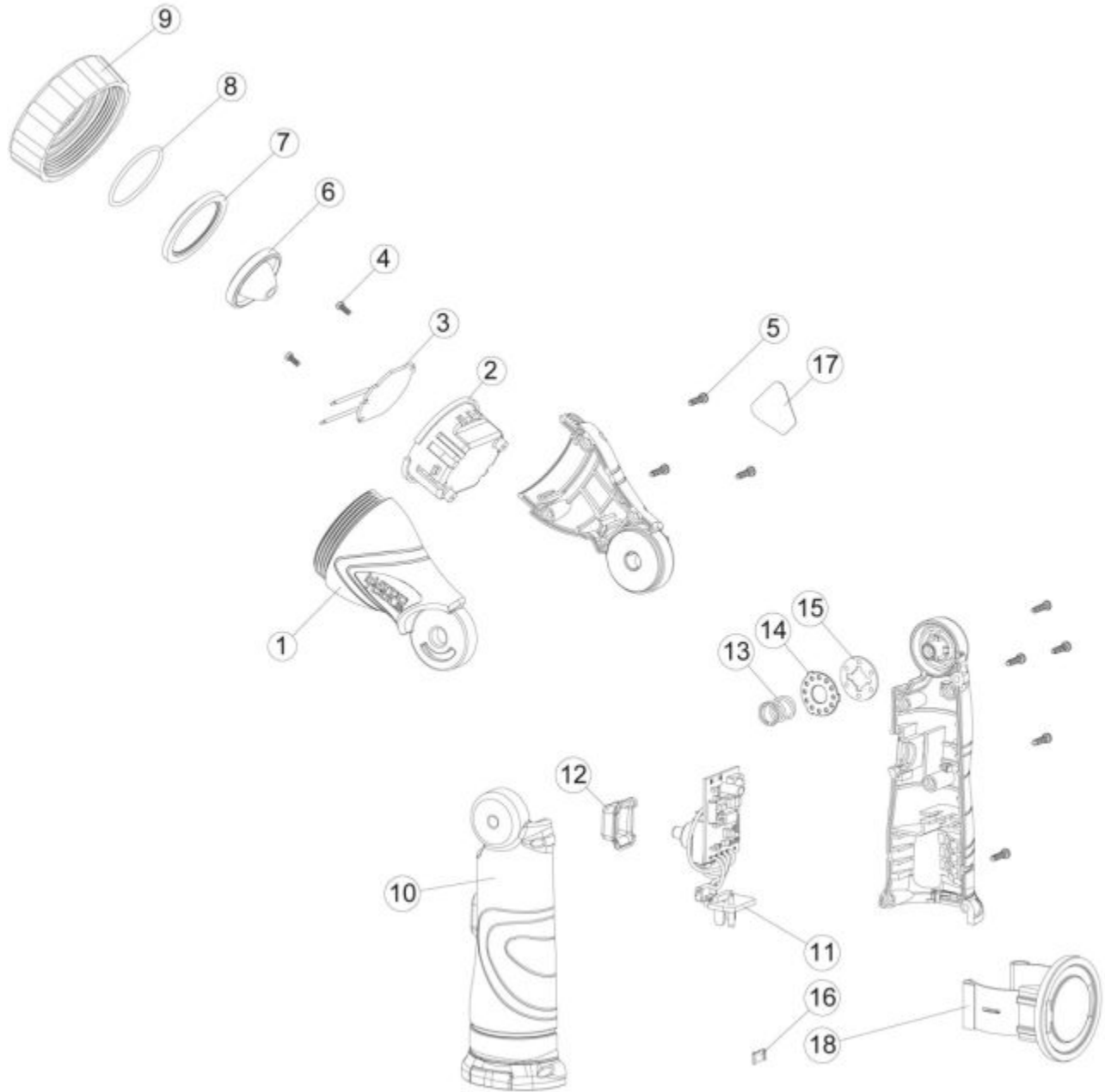


MCL12LEDA - 3W LED LIGHT



Item: MCL12LEDA

Description: 3W LED LIGHT

Notes: Battery - MUC122LB.

Figure No	Part Number	Description	No. Reqd	Warranty Code
1	K7RS12L01	BURNER HOUSING - L & R	1	X
2	K7RS12L02	HEAT SINK (2RADA026) /CORDLESS	1	X
3	K7RS12L03	LED ASSY/MUC12LED	1	X
4	*K7RS4803	SCREW	2	
5	K7RS108R18	SCREW (TP3X12L) F/ MUC108R	8	X
6	K7RS12L06	OPTIC LENS F/MUC12LED	1	X
7	K7RS12L07	SECONDARY LENS F/MUC12LED	1	X
8	K7RS12L08	O-RING FOR MUC122LED	1	X
9	K7RS12L09	BURNER COVER F/ MUC12LED	1	X
10	K7RS12L10	HOUSING L & R MUC12LED	1	X
11	K7RS12L11	TRANSFORMER CONNECTION F/MUC12	1	X
12	K7RS72L10B	BUTTON FOR MUC122LED	1	X
13	*K7RS108L12	SPRING	1	
14	*K7RS108L13	PIVOT PLATE	1	
15	*K7RS108L14	PIVOT PLATE WITH STEEL BALLS	1	
16	K7RS108DD12	HOUSING CLIP F/ MUC108S	1	X
17	*K7RS44517	HOUSING LABEL- R	1	
18	K7RS00818	MAGNETIC CLIP F/MCL12LEDA	1	X