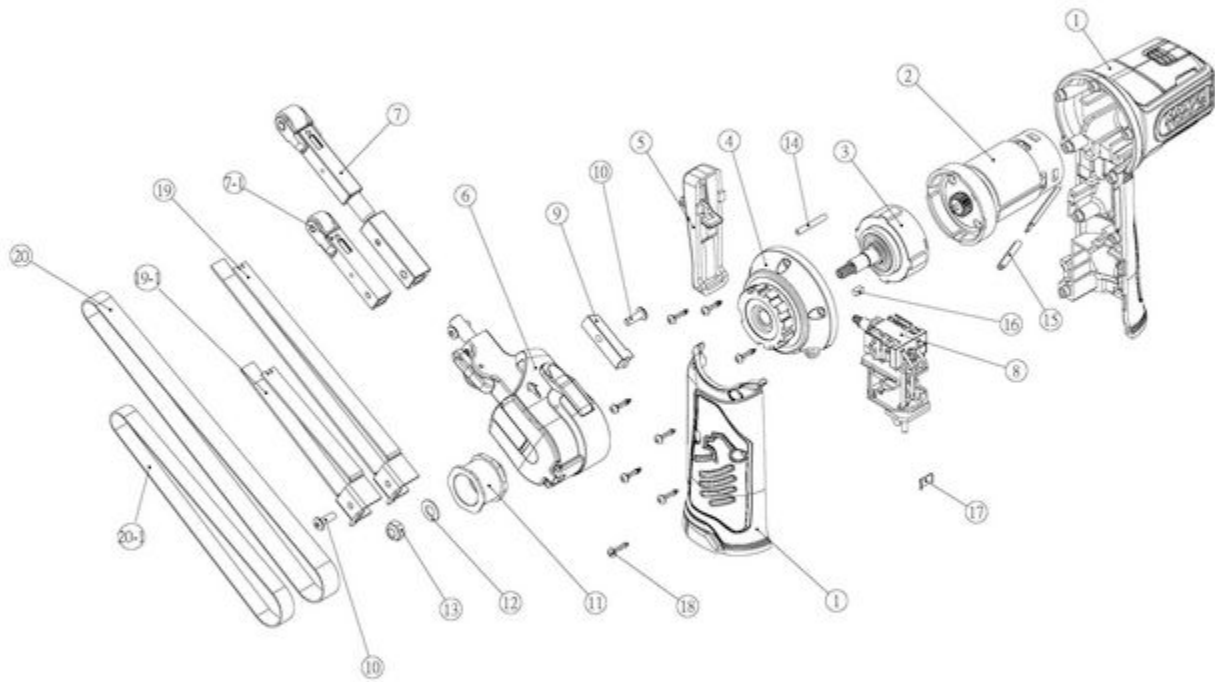


MCL1613BS - 16V 3/8" X 13" BELT SANDER



Item: MCL1613BS

Description: 16V 3/8" X 13" BELT SANDER

Notes: Not Shown RSMCL1613BSPKL Product Label Kit for 13" Not Shown RSMCL1618BSPKL Product Label Kit for 18"

Figure No	Part Number	Description	No. Reqd	Warranty Code
1	*K7RS161310	HOUSING-L&R	1	
2	*K7RS161311	MOTOR ASSEMBLY	1	
3	*K7RS161312	GEAR BOX ASSEMBLY	1	
4	*K7RS161313	GEAR CASE	1	
5	*K7RS161314	TRIGGER	1	
6	*K7RS161315	BELT ARM HUB ASSEMBLY	1	
7	K7RS161801	18" BELT ARM ASSY F/MCL1613BS	1	X
7	*K7RS161316	7-1 13" BELT ARM ASSEMBLY	1	
8	*K7RS161317	PCB ASSEMBLY	1	
9	*K7RS161318	ROTATING ARMSLIDER	1	
10	*K7RS161319	SCREW (T10)	2	
11	*K7RS161320	DRIVE WHEEL	1	
11	K7RS030139	RUBBER CONTACT WHEEL	1	X
12	*K7RS161321	WASHER	1	
13	*K7RS161322	HEX NUT	1	
14	*K7RS161323	PIN	1	
15	*K7RS161324	HEAT SHRINKAGE TUBE	2	
16	*K7RS161325	SQUARE KEYS	1	
17	K7RS108DD12	HOUSING CLIP F/ MUC108S	1	X
18	K7RS108R18	SCREW (TP3X12L) F/ MUC108R	8	X
19	K7RS161802	18" BELT SUPPORT F/ MCL1613BS	1	X
19	*K7RS161326	19-1 13	1	
20	*K7RS161803	18" SANDING BELT 60#	3	
20	*K7RS161327	20-1 13" SANDING BELT 60#	3	