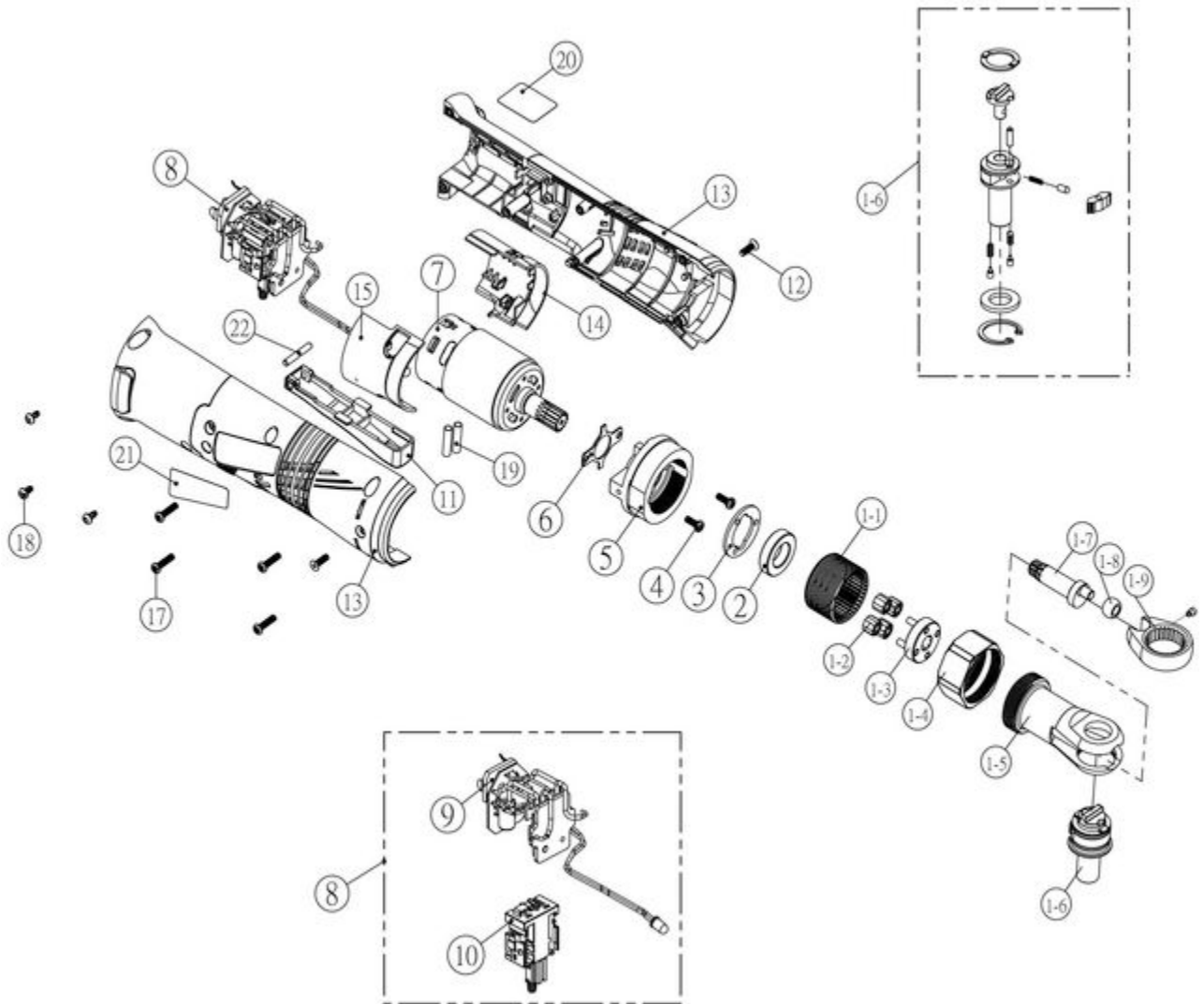


MCL1614BD - 16V 1/4" MAGNETIC BIT DRIVER B



Item: MCL1614BD

Description: 16V 1/4" MAGNETIC BIT DRIVER B

Notes: RATCHET HEAD KIT ALSO AVAILABLE AS MCL1614RHK

Figure No	Part Number	Description	No. Reqd	Warranty Code
1	K7RS250ARR22	INTERNAL GEAR F/MT2842	1	X
1	*K7RS1614RHK	1-6 RATCHET HEAD KIT	1	
1	K7RS283526	CLAMP NUT MT2842	1	X
1	K7RS283429	RACHET YOKE F/MT2842	1	X
1	*K7RS161401	1-2 PLANET GEAR	4	
1	*K7RS161425	1-3 PLANET GEAR CARRIER	1	
1	*K7RS161426	1-5 RATCHET HOUSING	1	
1	K7RS283428	DRIVE BUSHING	1	X
1	K7RS283530	CRANK SHAFT	1	X
2	K7RS12R02	BUSHING F/ MUC122R	1	X
3	K7RS108R07	INTERNAL GEAR WASHER F/MUC108R	1	X
4	*K7RS01804	SCREW (M3 X 6L)	2	
5	K7RS108R09	MOTOR CONNECTOR F/MUC108R	1	X
6	*K7RS108MP10	WASHER (25.7 X 26 X 0.8T)	1	
7	*K7RS161407	MOTOR ASSEMBLY	1	
8	*K7RS161427	PCB ASSEMBLY (INCLD #9, 10)	1	
11	K7RS12R15	TRIGGER F/MUC12R	1	X
12	K7RS108R19	SCREW F/MUC108R	2	X
13	K7RS161422	HOUSING ASSEMBLY (L&R) BURGUND	1	X
14	K7RS12R18	INSULATION L	1	X
15	K7RS12R19	INSULATION R	1	X
17	K7RS108R20	SCREW (M3X10L) F/ MUC108R	4	X
18	K7RS108R18	SCREW (TP3X12L) F/ MUC108R	3	X
19	*K7RS161618	HEAT SHRINKAGE TUBE	2	
20	*K7RSMCL1638RAWL	WARNING LABEL	1	
21	*K7RS161428	HOUSING LABEL-RIGHT	1	
22	K7RS163823	PIN F/ MCL1238R	1	X