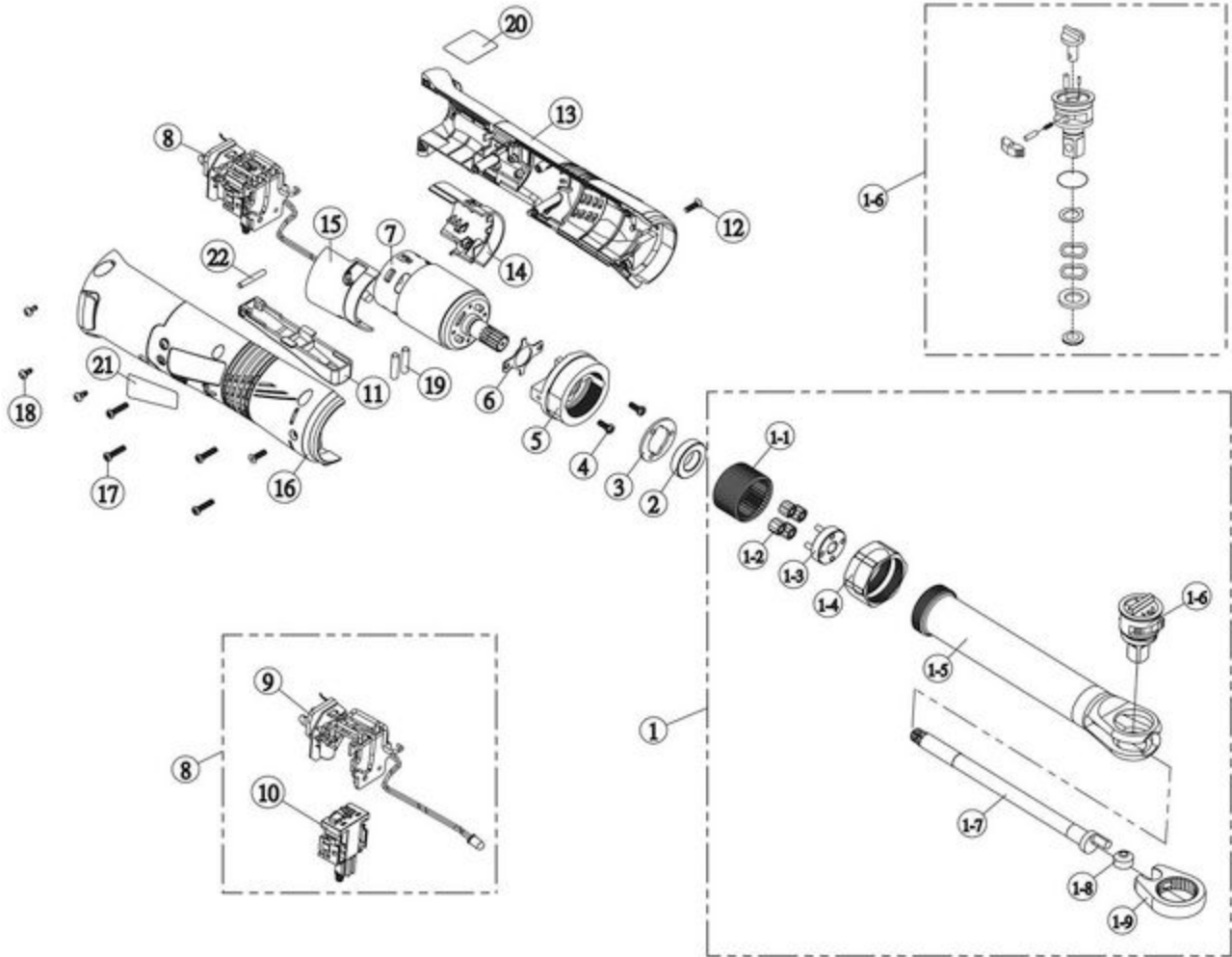


MCL1614LRG - 1/4" EXTENDED RATCHET -GRE



Item: MCL1614LRG

Description: 1/4" EXTENDED RATCHET -GRE

Notes: Part Number RS161431 is SHAFT WARNING LABEL AND 1/4" Ratchet Head Kit is Part Number MCL1614LRHK

Figure No	Part Number	Description	No. Reqd	Warranty Code
1	*K7RS1614LRHK	1-6 1/4" RATCHET HEAD KIT	1	
1	K7RS250ARR22	INTERNAL GEAR F/MT2842	1	X
1	K7RS283526	CLAMP NUT MT2842	1	X
1	*K7RS163864	1-5 RATCHET HOUSING ASSEMBLY	1	
1	*K7RS163862	1-2 PLANET GEAR	4	
1	*K7RS163865	1-7 CRANKSHAFT	1	
1	K7RS281430	DRIVE BUSHING F/MT2814	1	X
1	*K7RS163863	1-3 PLANET GEAR CARRIER	1	
1	K7RS281431	RATCHET YOKE W/GREASE FITTING	1	X
2	K7RS12R02	BUSHING F/ MUC122R	1	X
3	K7RS108R07	INTERNAL GEAR WASHER F/MUC108R	1	X
4	*K7RS01804	SCREW (M3X6L)	2	
5	K7RS108R09	MOTOR CONNECTOR F/MUC108R	1	X
6	*K7RS108MP10	WASHER (25.7X26X0.8)	1	
7	*K7RS161407	MOTOR ASS'Y	1	
8	*K7RS163860	PCB ASSEMBLY (INCL #9, #10)	1	
11	K7RS12R15	TRIGGER F/MUC12R	1	X
12	K7RS108R19	SCREW F/MUC108R	2	X
13	*K7RS1238R17G	HOUSING-L ASS'Y GREEN	1	
14	K7RS12R18	INSULATION L	1	X
15	K7RS12R19	INSULATION R	1	X
16	*K7RS163849G	HOUSING-R ASS'Y GREEN	1	
17	K7RS108R20	SCREW (M3X10L) F/ MUC108R	4	X
18	K7RS108R18	SCREW (TP3X12L) F/ MUC108R	3	X
19	*K7RS161618	HEAT SHRINKAGE TUBE	2	
20	*K7RSMCL1638RAWL	WARNING LABEL	1	
21	*K7RS161430	1/4" HOUSING LABEL-R	1	
22	K7RS163823	PIN F/ MCL1238R	1	X