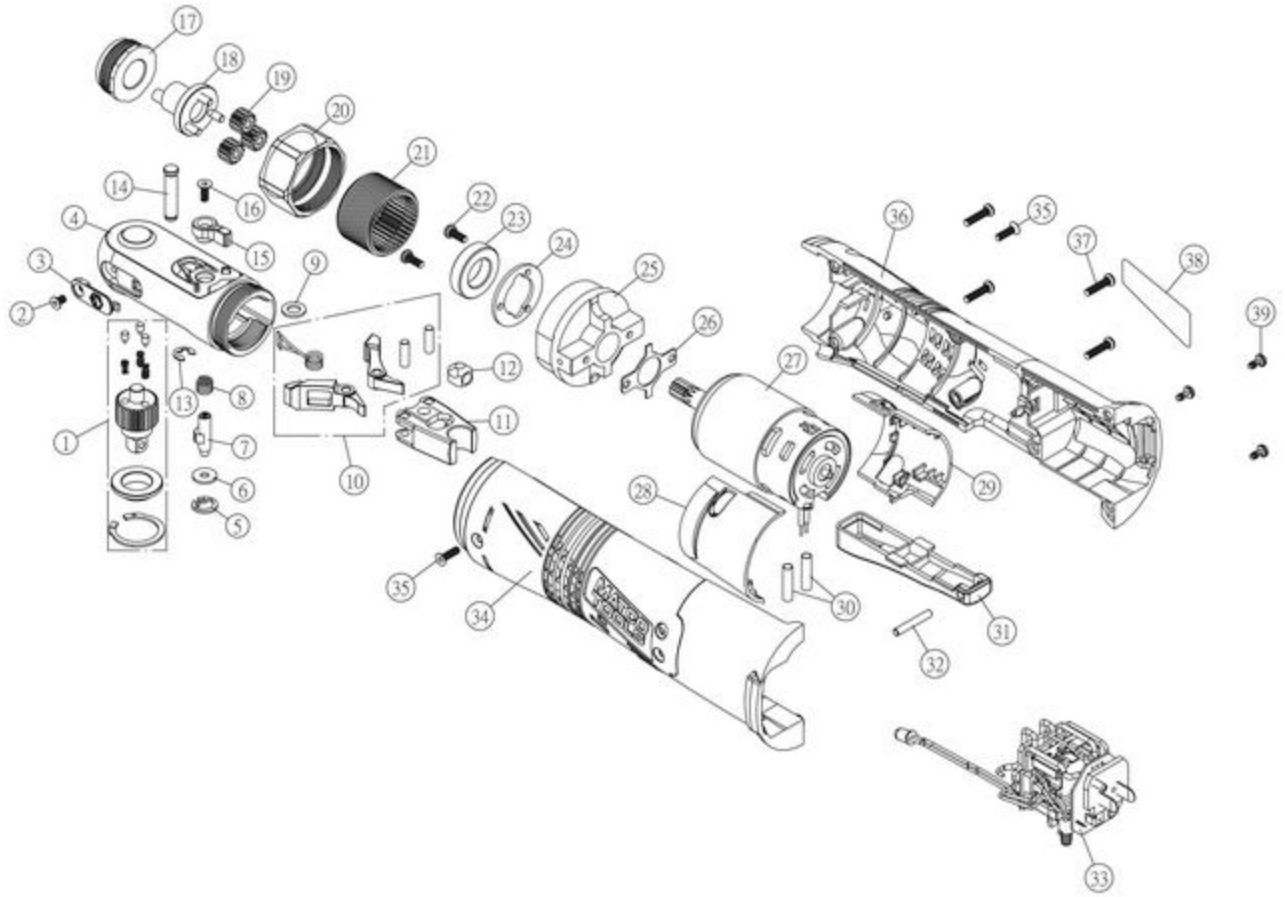


MCL1614SR - 16V 1/4" SEALED HEAD RAT BURG



Item: MCL1614SR

Description: 16V 1/4" SEALED HEAD RAT BURG

Notes: N/A

Figure No	Part Number	Description	No. Reqd	Warranty Code
1	*K7RS161429	ANVIL ASSEMBLY	1	
2	*K7RS161432	SCREW (M3X5L)	1	
3	*K7RS161433	PLASTIC COVER	1	
4	*K7RS161434	RATCHET HOUSING ASSEMBLY	1	
5	*K7RS161435	C-RING (10)	1	
6	*K7RS161436	WASHER (9.9X3.45X1)	1	
7	*K7RS161437	PIVOT	1	
8	*K7RS161438	SPRING	1	
9	*K7RS161439	WASHER (9.7X5.4X1)	1	
10	*K7RS161440	PAWL & SPRING ASSEMBLY	1	
11	*K7RS161441	RATCHET YOKE	1	
12	*K7RS161442	DRIVE BUSHING (9.8X8.9)	1	
13	*K7RS161443	C RING (4)	1	
14	*K7RS161444	SPINDLE	1	
15	*K7RS161445	FORWARD/REVERSE LEVER	1	
16	K7RS108MP11	SCREW F/ MUC108R	1	X
17	*K7RS161446	RATCHET HEAD COVER	1	
18	*K7RS161447	PLANETARY GEAR BASE	1	
19	*K7RS161448	PLANETARY GEARS (EACH)	3	
20	*K7RS161449	NUT (SS41)	1	
21	*K7RS161450	RRING GEAR	1	
22	*K7RS01804	SCREW (M3X6L)	2	
23	K7RS12R02	BUSHING F/ MUC122R	2	X
24	K7RS108R07	INTERNAL GEAR WASHER F/MUC108R	1	X
25	K7RS108R09	MOTOR CONNECTOR F/MUC108R	1	X
26	*K7RS1238R10	WASHER (25.7X26X0.8T)	1	
27	*K7RS161451	MOTOR ASSEMBLY	1	
28	K7RS12R18	INSULATION L	1	X
29	K7RS12R19	INSULATION R	1	X
30	*K7RS161618	HEAT SHRINKAGE TUBE (4X16MM)	2	
31	K7RS12R15	TRIGGER F/MUC12R	1	X
32	K7RS163823	PIN F/ MCL1238R	1	X
33	*K7RS161452	PCB ASSEMBLY	1	

34	K7RS1238R17	HOUSING LEFT ASSEMBLY	1	X
34	*K7RS1238R17O	HOUSING - LEFT ORANGE	1	
34	*K7RS1238R17G	HOUSING - LEFT GREEN	1	
35	K7RS108R19	SCREW F/MUC108R	2	X
36	*K7RS163849	HOUSING - RIGHT	1	
36	*K7RS163849O	HOUSING - RIGHT ORANGE	1	
36	*K7RS163849G	HOUSING - RIGHT GREEN	1	
37	K7RS108R20	SCREW (M3X10L) F/ MUC108R	4	X
38	*K7RS161453	HOUSING LABEL RIGHT	1	
39	K7RS108R18	SCREW (TP3X12L) F/ MUC108R	3	X