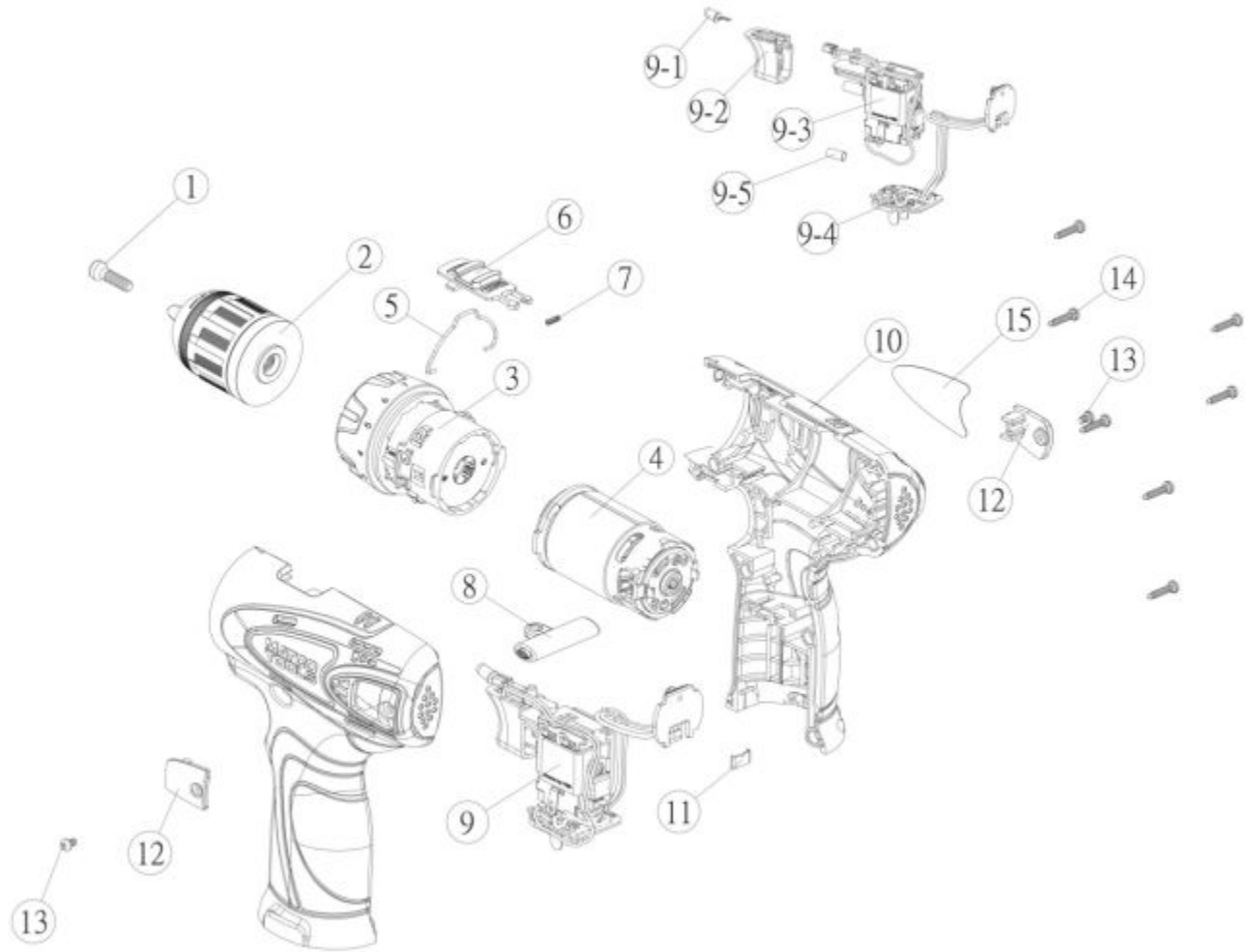


MCL1638DD - 16V CORDLESS DRILL DRIVER



Item: MCL1638DD

Description: 16V CORDLESS DRILL DRIVER

Notes: now shown RSMCL1638DDPLK Product Label Kit

Figure No	Part Number	Description	No. Reqd	Warranty Code
1	K7RS12DD01	CHUCK SCREW (2SCRA007)	1	X
2	K7RS163809	KEYLESS CHUCK F/MCL1638DD	1	X
3	K7RS12DD03	GEAR BOX ASSEMBLY	1	X
4	*K7RS163815	MOTOR ASSEMBLY	1	
5	K7RS12DD05	SPEED CHANGE SPRING	1	X
6	*K7RS02806	HIGH/LOW SPEED KNOB W/ #7 SPRING	1	
7	*K7RS22006	KNOB SPRING (INCLUDED W/ #6)	1	
8	K7RS122ID09	FWD/REVSE ROD F/MUC122	1	X
9	K7RS1812DD14	LED F/MUC122ID	1	X
9	K7RS122ID11	KNOB F/ MUC1638	1	X
9	K7RS12DD11	SWITCH F/MUC12IW AND MUC12DD	1	X
9	*K7RS163820	9-4 PCB ASSEMBLY	1	
9	*K7RS163821	9-5 HEAT SHRINKAGE TUBE	1	
10	*K7RS163824	HOUSING ASSEMBLY L & R	1	
11	K7RS108DD12	HOUSING CLIP F/ MUC108S	1	X
12	K7RS163825	BRUSH HOUSING CVR F/ MCL1638DD	2	X
13	*K7RS108L09	SCREW	2	
14	K7RS144IW020	SCREW FOR RS144I	7	X
15	*K7RS163826	HOUSING LABEL - R	1	