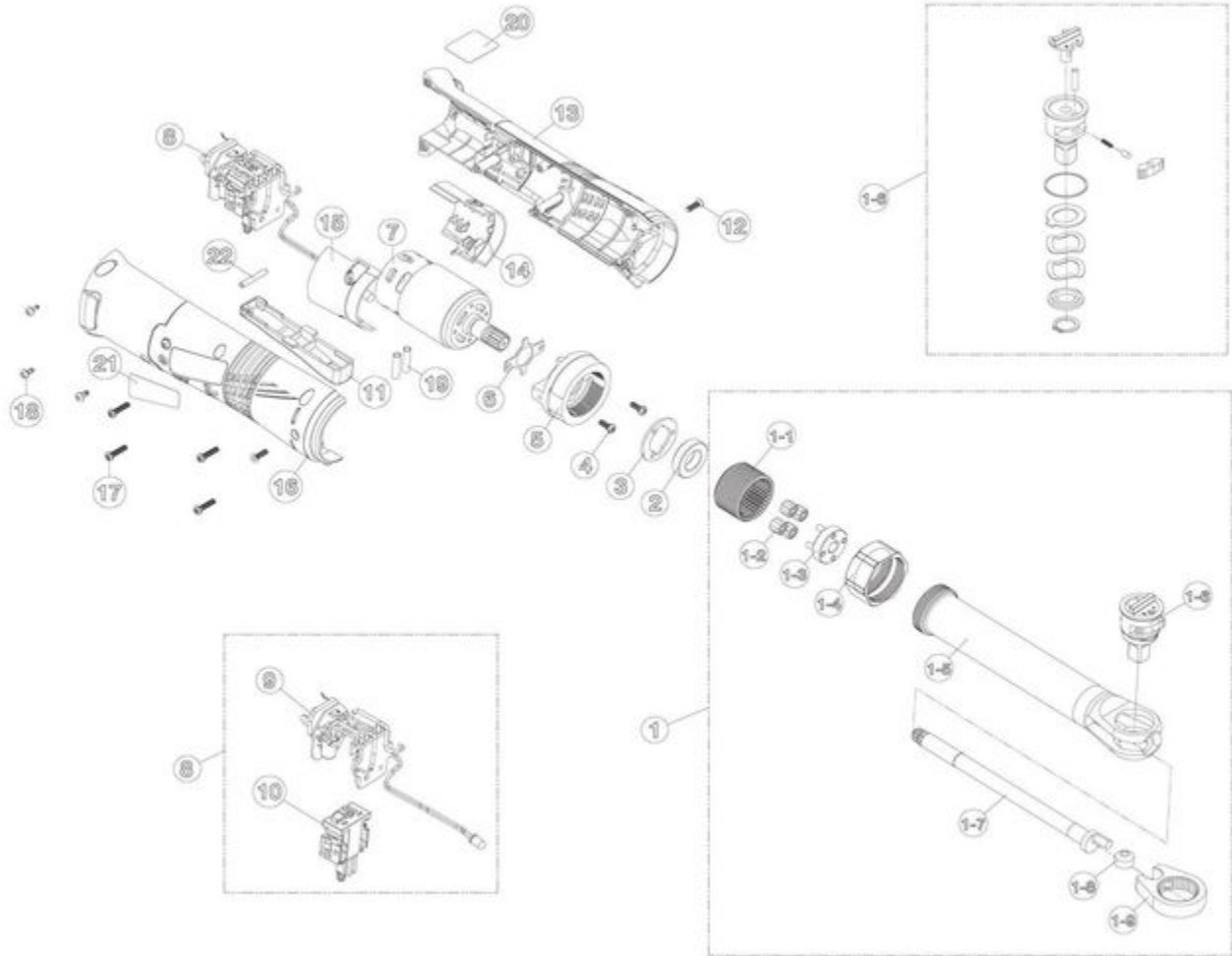


MCL1638LRM - 16V 3/8" LONG REACH RATCHET B



Item: MCL1638LRM

Description: 16V 3/8" LONG REACH RATCHET B

Notes: Ratchet Head Kit also available as MCL1638LRHK

| Figure No | Part Number      | Description                    | No. Reqd | Warranty Code |
|-----------|------------------|--------------------------------|----------|---------------|
| 1         | *K7RS1638LRHK    | (1-6) RATCHET HEAD KIT         | 1        |               |
| 2         | K7RS12R02        | BUSHING F/ MUC122R             | 1        | X             |
| 3         | K7RS108R07       | INTERNAL GEAR WASHER F/MUC108R | 1        | X             |
| 4         | *K7RS01804       | SCREW (M3X6L)                  | 2        |               |
| 5         | K7RS108R09       | MOTOR CONNECTOR F/MUC108R      | 1        | X             |
| 6         | *K7RS108MP10     | WASHER (25.7X26X0.8)           | 1        |               |
| 7         | *K7RS161407      | MOTOR ASS'Y                    | 1        |               |
| 8         | *K7RS163860      | PCB ASSEMBLY (INCL #9, #10)    | 1        |               |
| 11        | K7RS12R15        | TRIGGER F/MUC12R               | 1        | X             |
| 12        | K7RS108R19       | SCREW F/MUC108R                | 2        | X             |
| 13        | *K7RS1238R170    | HOUSING-L ASS'Y ORANGE         | 1        |               |
| 14        | K7RS12R18        | INSULATION L                   | 1        | X             |
| 15        | K7RS12R19        | INSULATION R                   | 1        | X             |
| 16        | *K7RS1638490     | HOUSING-R ASS'Y ORANGE         | 1        |               |
| 17        | K7RS108R20       | SCREW (M3X10L) F/ MUC108R      | 4        | X             |
| 18        | K7RS108R18       | SCREW (TP3X12L) F/ MUC108R     | 3        | X             |
| 19        | *K7RS161618      | HEAT SHRINKAGE TUBE            | 2        |               |
| 20        | *K7RSMCL1638RAWL | WARNING LABEL                  | 1        |               |
| 21        | *K7RSMCL163816   | HOUSING LABEL-R                | 1        |               |
| 22        | K7RS163823       | PIN F/ MCL1238R                | 1        | X             |