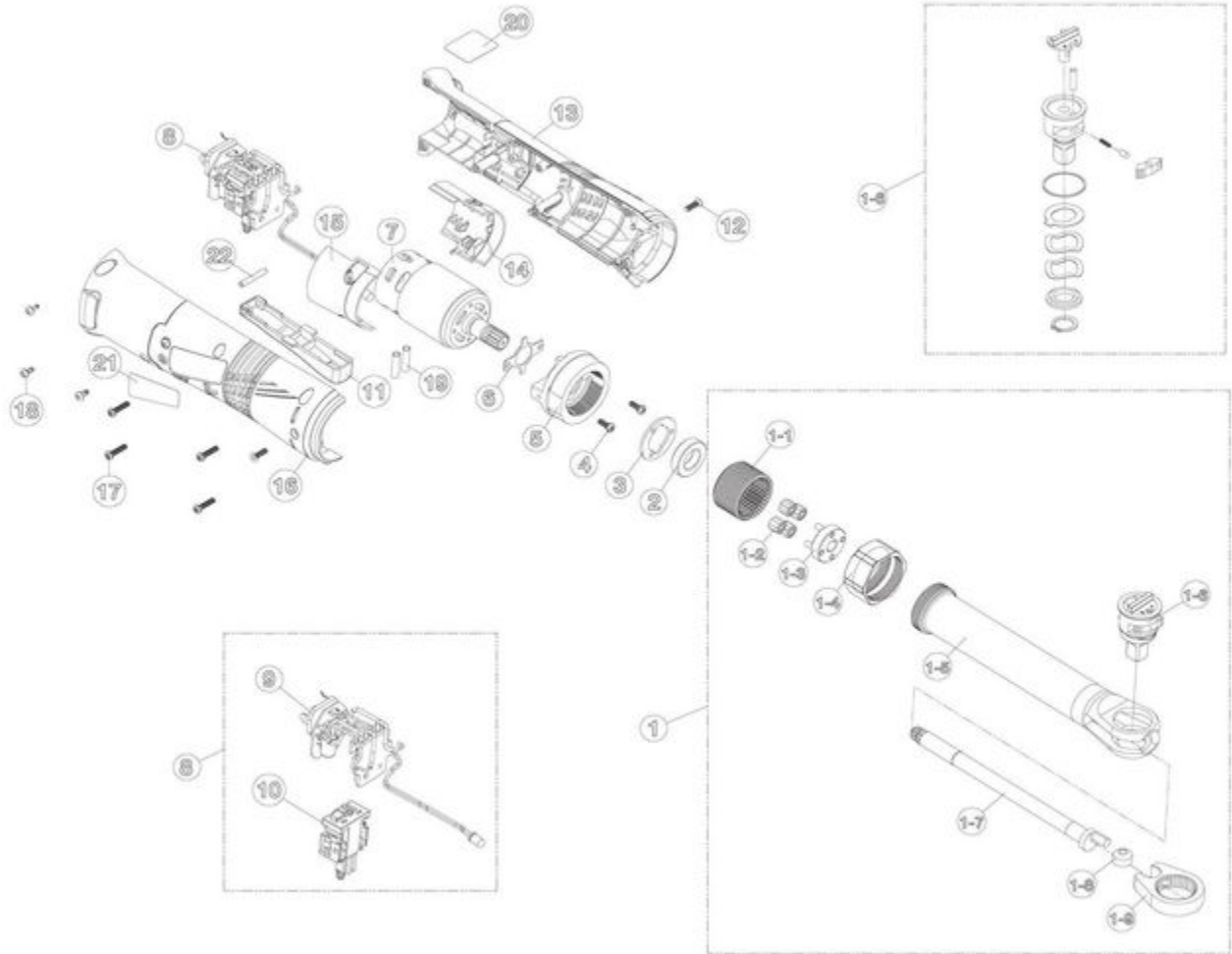


MCL1638LR - 16V 3/8" LONG REACH RATCHET B



Item: MCL1638LR

Description: 16V 3/8" LONG REACH RATCHET B

Notes: Ratchet Head Kit also available as MCL1638LRHK

Figure No	Part Number	Description	No. Reqd	Warranty Code
1	*K7RS1638LRHK	(1-6) RATCHET HEAD KIT	1	
2	K7RS12R02	BUSHING F/ MUC122R	1	X
3	K7RS108R07	INTERNAL GEAR WASHER F/MUC108R	1	X
4	*K7RS01804	SCREW (M3X6L)	2	
5	K7RS108R09	MOTOR CONNECTOR F/MUC108R	1	X
6	*K7RS108MP10	WASHER (25.7X26X0.8)	1	
7	*K7RS161407	MOTOR ASS'Y	1	
8	*K7RS163860	PCB ASSEMBLY (INCL #9, #10)	1	
11	K7RS12R15	TRIGGER F/MUC12R	1	X
12	K7RS108R19	SCREW F/MUC108R	2	X
13	K7RS1238R17	HOUSING LEFT ASSEMBLY	1	X
14	K7RS12R18	INSULATION L	1	X
15	K7RS12R19	INSULATION R	1	X
16	*K7RS163849	HOUSING-R ASS'Y BURGUNDY	1	
17	K7RS108R20	SCREW (M3X10L) F/ MUC108R	4	X
18	K7RS108R18	SCREW (TP3X12L) F/ MUC108R	3	X
19	*K7RS161618	HEAT SHRINKAGE TUBE	2	
20	*K7RSMCL1638RAWL	WARNING LABEL	1	
21	*K7RSMCL163816	HOUSING LABEL-R	1	
22	K7RS163823	PIN F/ MCL1238R	1	X