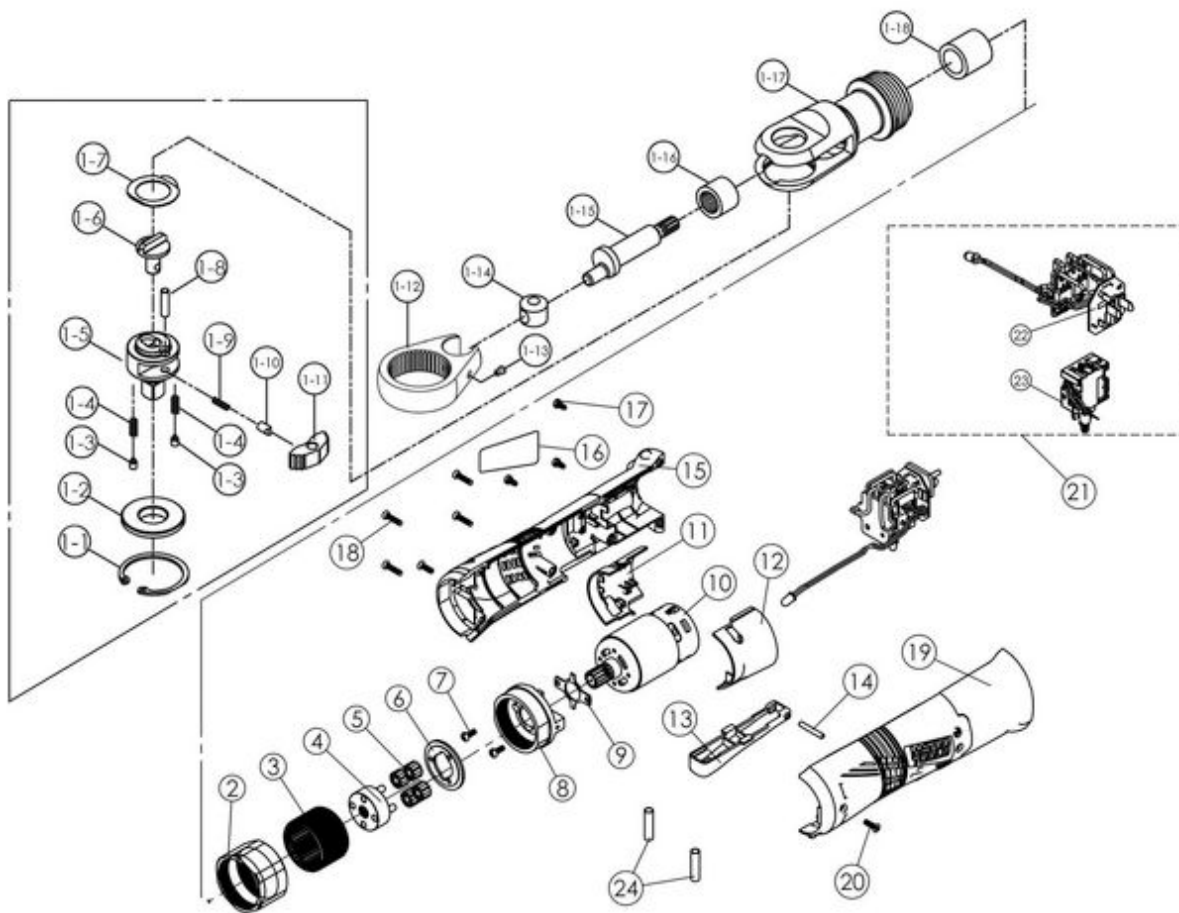


Ratchets > MCL1638RA > 16V 3/8" RATCHET -BURGUNDY



**Notes:** \* Available only as MT2854RHK Ratchet Head Kit N/S: RSMCL1638RAWL - Product Warning Label (QTY 1)

Figure No	Part Number	Description	No. Reqd
1	*K7*	1-2 3/8" Thrust Washer	1
1	*K7*	1-11 Ratchet Pawl	1
1	*K7*	1-8 Pin	1
1	*K7*	1-1 Retainer Ring	1
1	*K7*	1-3 Pin	2
1	*K7*	1-6 Reverse Button	1
1	*K7RS163852	1-12 Ratchet Yoke	1
1	*K7*	1-10 Lock Pin	1
1	*K7*	1-4 Spring	2

1	*K7*	1-7 Washer	1
1	*K7RS163856	1-16 Needle Bearing	1
1	*K7RS163855	1-15 Crank Shaft	1
1	*K7RS163858	1-18 Bushing	1
1	*K7RS163857	1-17 Ratchet Housing	1
1	*K7RS163853	1-13 Grease Fitting	1
1	*K7RS163854	1-14 Drive Bushing	1
1	*K7*	1-9 Spring	1
1	*K7*	1-5 3/8" Anvil	1
2	*K7RS163801	Hexagonal Nut	1
3	*K7RS163802	Ring Gear	1
4	*K7RS123803	Planetary Gear Base	1
5	*K7RS123804	Planetary Gears	4
6	*K7RS163806	Washer	1
7	*K7RS01804	Screw [M3 x 8L]	2
8	*K7RS1238R09	Motor Connector	1
9	*K7RS1238R10	Washer [25.7 x 26 x 0.8t]	1
10	*K7RS163848	Motor Ass'y	1
11	K7RS12R19	INSULATION R	1
12	K7RS12R18	INSULATION L	1
13	*K7RS123806	Trigger	1
14	K7RS163823	PIN F/ MCL1238R	1
15	*K7RS163849G	Housing-R Ass'y - Green	1
15	*K7RS163849	Housing-R Ass'y	1
15	*K7RS163849O	Housing-R Ass'y - Orange	1
16	*K7RS163850	Housing Label-R	1
17	K7RS108R18	SCREW (TP3X12L) F/ MUC108R	3
18	K7RS108R20	SCREW (M3X10L) F/ MUC108R	4
19	*K7RS1238R17G	Housing-L Ass'y - Green	1
19	*K7RS1238R17O	Housing-L Ass'y - Orange	1
19	K7RS1238R17	HOUSING LEFT ASSEMBLY	1
20	K7RS108R19	SCREW F/MUC108R	2
21	*K7RS163851	PCB Ass'y	1
22	K7RS163811	CIRCUIT BOARD F/ MCL1638R	1
23	K7RS12R09	MUC12R MAIN SWITCH	1
24	*K7RS161618	Heat Shrinkage Tube	2