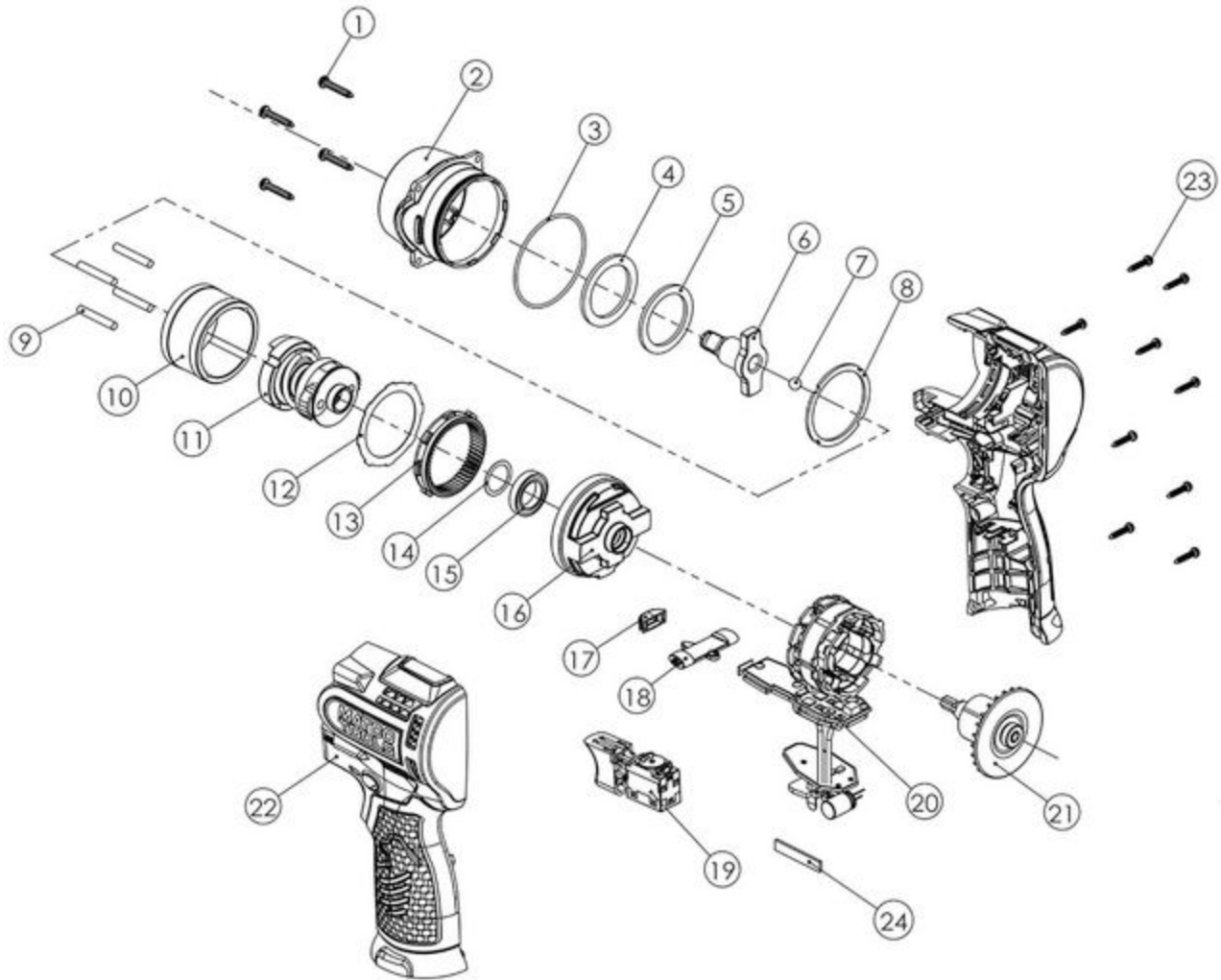


MCL1638SIW - 16V 3/8" STUBBY IMPACT WRENCH-



Item: MCL1638SIW

Description: 16V 3/8" STUBBY IMPACT WRENCH-

Notes: RS163893 HOUSING LABEL - R

Figure No	Part Number	Description	No. Reqd	Warranty Code
1	K7RS163827	FRONT COVER SCREW F/ MCL1638	4	X
2	*K7RS163874	FRONT COVER	1	
3	*K7RS163875	O-RING (49.5X 1.5)	1	
4	*K7RS163876	RUBBER WASHER (39.6X29.6X2.1T)	1	
5	*K7RS163877	WASHER (38X29.3-2T)	1	
6	*K7RS163878	FRONT IMPACT ASSEMBLY	1	
7	*K7RS163879	STEEL BALL (6.35)	1	
8	*K7RS163880	WASHER (45.8X39X1.5T)	1	
9	*K7RS163881	PIN (EACH)	4	
10	*K7RS163882	SUB HAMMER	1	
11	*K7RS163883	REAR IMPACT ASSEMBLY	1	
12	*K7RS163884	WASHER (48.5X37X0.5T)	1	
13	*K7RS163885	RING GEAR	1	
14	*K7RS1838IW09	WASHER (19.5X15.2-0.3T)	1	
15	*K7RS161608	BEARING (6802-2RS)	1	
16	*K7RS163886	RING GEAR FIXITURE	1	
17	*K7RS163887	LED HOLDER	1	
18	K7RS163841	FORWARD / REVERSE ROD	1	X
19	*K7RS163888	MAIN SWITCH ASSEMBLY	1	
20	*K7RS163889	PCB ASS'Y+STATOR ASS'Y	1	
21	*K7RS163890	ROTOR ASSEMBLY	1	
22	*K7RS163891G	HOUSING-L&R ASSY - GREEN	1	
22	*K7RS163891	HOUSING-L&R ASSY - BURGANDY	1	
22	*K7RS163891O	HOUSING-L&R ASSY - ORANGE	1	
23	K7RS144IW020	SCREW FOR RS144I	9	X
24	*K7RS163892	FOAM (33X6X1.5T)	1	