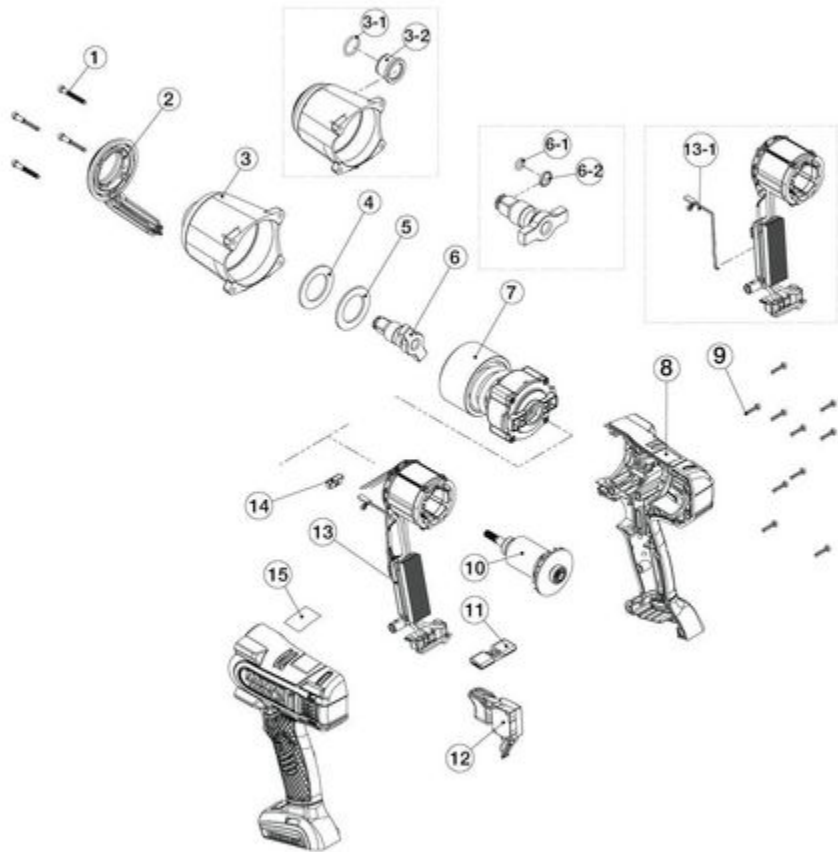


MCL2012BIW - 20V 1/2" BL IMP WRCH -BURGUNDY



Item: MCL2012BIW

Description: 20V 1/2" BL IMP WRCH -BURGUNDY

Notes: N/A

Figure No	Part Number	Description	No. Reqd	Warranty Code
1	*K7RS201216	FRONT COVER SCREW	4	
2	*K7RS201241	LED HOLDER	1	
3	*K7RS201242	1/2" FRONT COVER ASSEMBLY [INCLUDES 3-1 AND 3-2]	1	
4	*K7RS201204	RUBBER WASHER	1	
5	*K7RS201207	METAL WASHER	1	
6	K7RS201208	FRONT IMP ASMBLY F/ MCL2012HPI	1	X
7	*K7RS201252	REAR IMPACT ASSEMBLY	1	
8	*K7RS201259B	HOUSING - L & R ASSEMBLY [BURGUNDY]	1	
9	*K7RS201260	HOUSING SCREW (EACH)	10	
10	*K7RS201258	ROTATOR ASSEMBLY	1	
11	*K7RS201261	FORWARD/REVERSE ROD	1	
12	*K7RS201262	MAIN SWITCH ASSEMBLY	1	
13	*K7RS201257	STATOR + PCB ASSEMBLY [INCLUDES 13-1]	1	
14	*K7RS201264	LED HOLDER FIXTURE	1	
15	*K7RS201263	PRODUCT/WARNING LABEL	1	