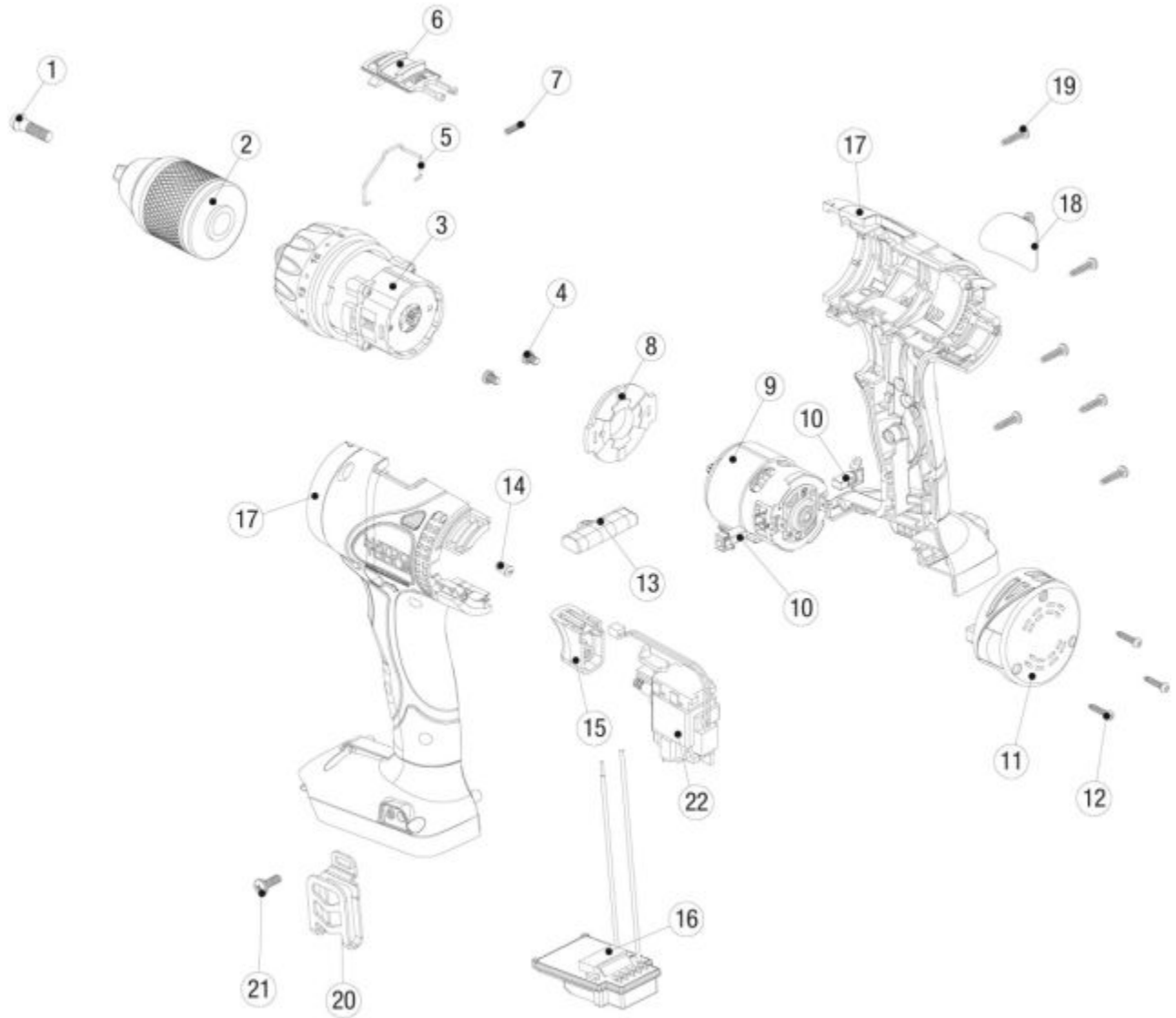


MCL2012DD - 20V 1/2" DRILL DRIVER



Item: MCL2012DD

Description: 20V 1/2" DRILL DRIVER

Notes: Also Available: K7RS2012DDC Blow Mold Case

Figure No	Part Number	Description	No. Reqd	Warranty Code
1	K7RS18DD01	CHUCK SCREW F/ MCL18DD	1	X
2	K7RS18DD02	CHUCK F/ MCL18DD DRILL DRIVER	1	X
3	K7RS18DD03	GEAR BOX ASSY F/MCL18DD	1	X
4	*K7RS18DD04	SCREW	2	
5	K7RS14406	SPEED CHG.SPRING F/MPTL192DD	1	X
6	K7RS14404	HIGH/LOW F/MPTL192DD	1	X
7	K7RS14405	KNOB SPRING F/MPTL192DD	1	X
8	*K7RS18DD08	MOTOR CONNECTOR	1	
9	K7RS18DD09	MOTOR ASSEMBLY F/MCL18DD	1	X
10	K7RS144IW011	CARBON BRUSH F/MCL144IW	2	X
11	*K7RS1812DD11	HOUSING BACK COVER ASSEMBLY	1	
12	K7RS144IW020	SCREW FOR RS144I	3	X
13	K7RS14410	FORWARD/REVERSE BUTTON F/DRILL	1	X
14	K7RS1812DD14	LED F/MUC122ID	1	X
15	K7RS1812DD15	TRIGGER F/ MCL2012DD	1	X
16	K7RS1838IW19	PCB ASSEMBLY DISSCHARGE PROTE	1	X
17	K7RS1812DD17	HOUSING F/ MCL2012DD L&R	1	X
18	*K7RS2012DD18	HOUSING LABEL - RIGHT	1	
19	K7RS144DD18	HOUSING SCREW F/ MCL18IWVS	7	X
20	*K7RS1812DD22	MAIN SWITCH	1	