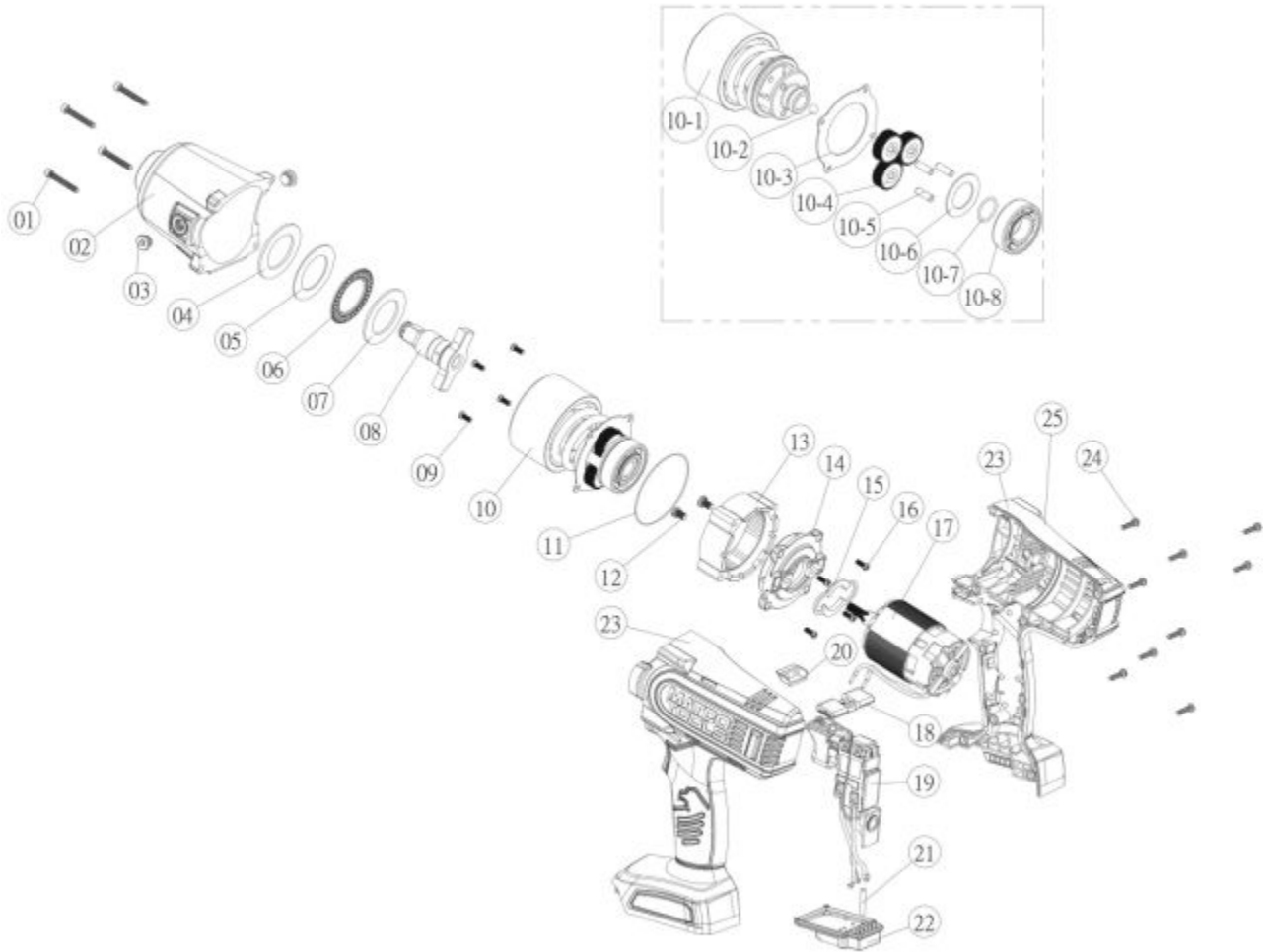


MCL2012HPIW - 20V 1/2" HP IMPACT WRENCH



Item: MCL2012HPIW

Description: 20V 1/2" HP IMPACT WRENCH

**Notes:** RS60138 - Side Handle w/Grip (not shown) RS201210 Rear Impact Assembly: (Includes 10-1 thru 10-8) qty1 10-1 Hammer Assembly (Included with #10) qty1 10-2 Steel Ball (Included with #10) qty 1 10-3 Gasket (Included with #10) qty 1 10-4 Planetary Gears (Included with #10) qty 3 10-5 Planetary Pin (Included with #10) qty 3 10-6 Washer (Included with #10) qty 1 10-7 O-Ring (Included with #10) qty 1 10-8 Bearing (Included with #10) qty 1 Also available: rS192IW5PK - Package of 5 each socket retaining rings and o-rings for front impact assembly. RS2012HPIWC - Blow molded case only

Figure No	Part Number	Description	No. Reqd	Warranty Code
0	K7RS60138	HANDLE F/ MT1872L	1	X
1	*K7RS201201	SCREW	4	
2	K7RS201202	FRONT COVER ASSEMBLY	1	X
3	K7RS201203	SCREW FOR MCL2012HPIW	2	X
4	*K7RS201204	RUBBER WASHER	1	
5	*K7RS201205	WASHER	1	
6	K7RS201206	BEARING F/MCL2012HPIW	1	X
7	*K7RS201207	WASHER	1	
8	K7RS201208	FRONT IMP ASMBLY F/ MCL2012HPI	1	X
9	*K7RS201209	SCREW	4	
10	K7RS201210	REAR IMPACT ASSY F/MCL2034HPIW	1	X
11	*K7RS201211	O-RING	1	
12	*K7RS1838IW11	SCREW (M5X8L)	2	
13	*K7RS201213	RING GEAR	1	
14	*K7RS201214	MOTOR CONNECTOR	1	
14	*K7RS201214	MOTOR CONNECTOR	1	
15	*K7RS201215	RUBBER PAD	1	
16	*K7RS201209	SCREW	4	
17	K7RS201217	MOTOR ASSY. F/MCL2012HPIW	1	X
19	K7RS201219	MAIN SWITCH	1	X
20	K7RS201220	LED FOR MCL2012HPIW	1	X
21	*K7RS201221	HEAT SHRINKAGE TUBE	1	
22	K7RS201222	BATTERY CONNECTOR	1	X
23	K7RS201223G	HOUSING L & R ASSEMBLY GREEN	1	X
23	K7RS2012230	HOUSING L & R F/ MCL2012HPO	1	X
23	K7RS201223	HOUSING L & R ASSEMBLY BURGUND	1	X
23	K7RS201223G	HOUSING L & R ASSEMBLY GREEN	1	X
24	K7RS144DD18	HOUSING SCREW F/ MCL18IWVS	9	X
25	*K7RS201225	PRODUCT LABEL	1	